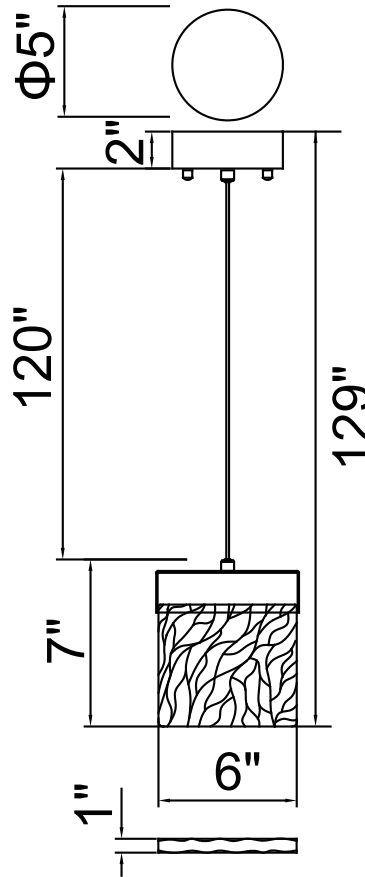


PROJECT: _____

FIXTURE TYPE: _____

LOCATION: _____

CONTACT/PHONE: _____



| | |
|------------|-----------------|
| Item | 1090P6-1-269 |
| Collection | CAROLINA |
| Finish | Pewter |
| Glass | Clear |
| Crystal | ----- |
| Input | 120V AC,60HZ,AC |

| | |
|-------------|-------|
| Shade | ----- |
| Length/Dia. | 6" |
| Width/Ext. | 1" |
| Height | 7" |
| Maximum | 129" |
| Lumens | 240 |

| | |
|--------------|-------|
| Light Source | LED |
| Bulb Info. | 9.5W |
| Included | ----- |
| Dimmable | Yes |
| Color | 3000K |
| Weight | 1.5KG |