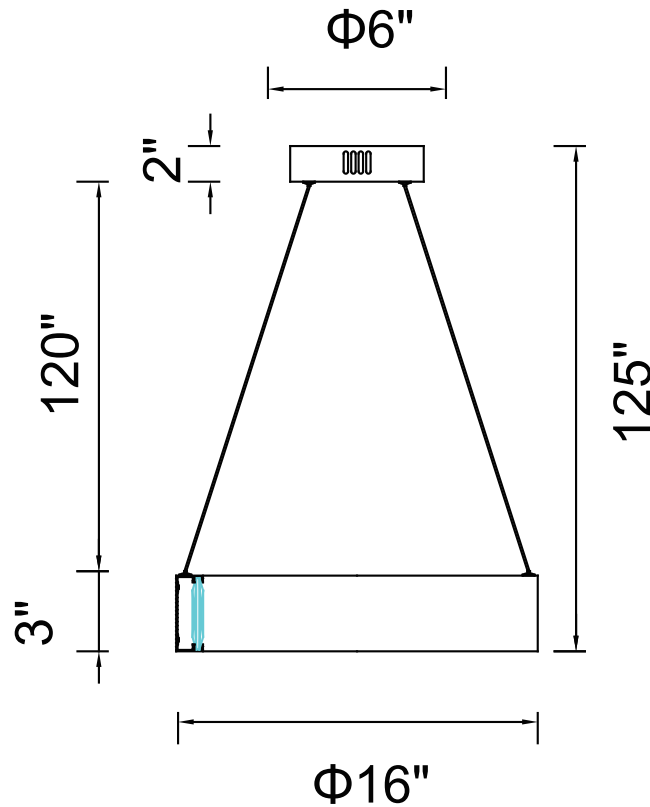


PROJECT: \_\_\_\_\_

FIXTURE TYPE: \_\_\_\_\_

LOCATION: \_\_\_\_\_

CONTACT/PHONE: \_\_\_\_\_



Item	1040P16-101
Collection	ROSALINA
Finish	Matte Black
Glass	-----
Crystal	Clear
Input	120V AC,60HZ,AC

Shade	-----
Length/Dia.	16"
Width/Ext.	-----
Height	3"
Maximum	125"
Lumens	550

Light Source	LED
Bulb Info.	26W
Included	-----
Dimmable	Yes
Color	3000K
Weight	4.8KG