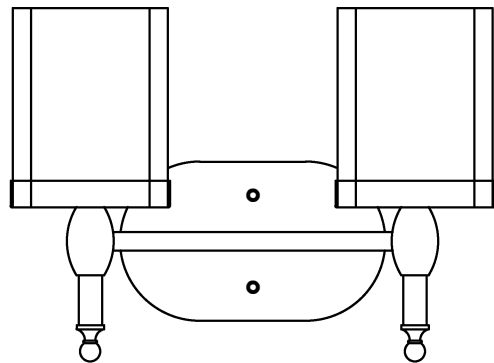



Trade Mark:
CRYSTAL WORLD INC

Product Name: Pendant lamp
Model :9851W14-2-601
120Vac, 60Hz,AC ONLY
Lamp Size:W14"*H10"*E6"



PENDANT LAMP ASSEMBLY INSTRUCTIONS

1.Install bulbs(NOT INCLUDED).USE 120V E26  2*60W Max.

