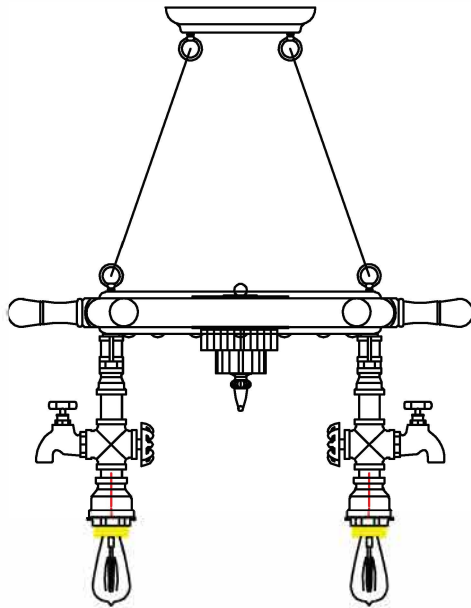


Trade Mark:  
CRYSTAL WORLD INC

Product Name: Pendant lamp  
Model :9718P22-3-210-A  
120Vac, 60Hz,AC ONLY  
Lamp Size:Ø22\*\*H13"



## PENDANT LAMP ASSEMBLY INSTRUCTIONS

1. Install bulbs (NOT INCLUDED). USE 120V E12  3\*60W Max.

