

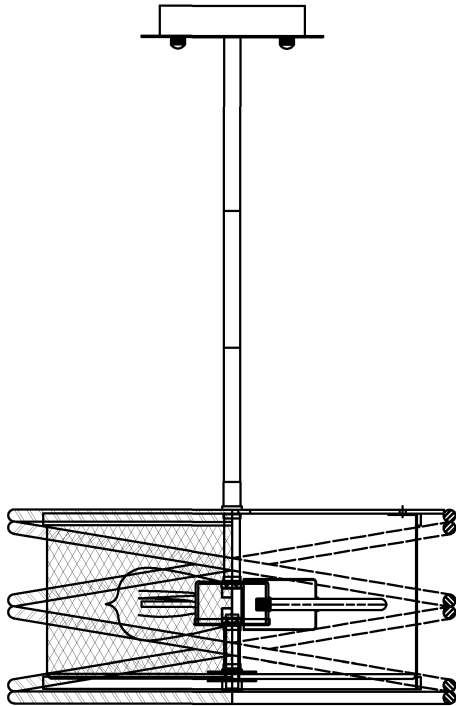
Trade Mark:
CRYSTAL WORLD INC

Product Name: Ceiling/Pendant lamp


Model :9700C15-2/9700P15-2

120Vac, 60Hz,AC ONLY

Lamp Size:D15"*H23"



PENDANT LAMP ASSEMBLY INSTRUCTIONS

1. Please fix part(A) with part(B),part(C) with part(B).
2. Install bulbs (NOT INCLUDED).USE 120V E26  2*40W Max.

