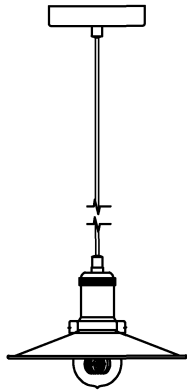


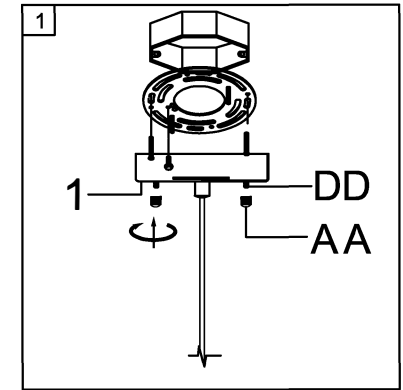
Trade Mark:  
CRYSTAL WORLD INC

Product Name: Pendant lamp  
Model :9605P8-1-101  
120Vac, 60Hz,AC ONLY  
Lamp Size:D8"\*H6"~H65"




## PENDANT LAMP ASSEMBLY INSTRUCTIONS

1.Place fixture (1) onto mounting screws (DD).Secure with Cap nut (AA).

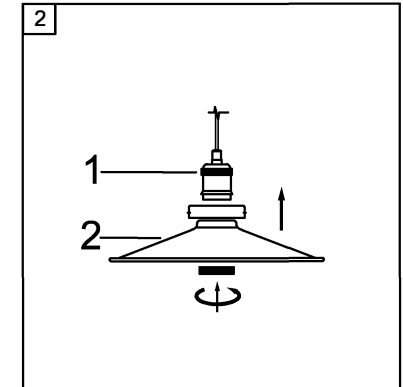


### Hardware Used

AA Cap nut  X 2

DD Mounting screw  X 2

2.Please fix part (2) with part (1).



3. Install lighting bulbs ( not included).

USE 120V E26  1\*40W Max.

