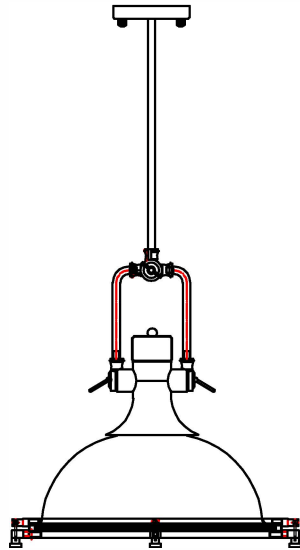


Trade Mark:
CRYSTAL WORLD INC

Product Name: Pendant lamp
Model :9602P16-1-101
120Vac, 60Hz,AC ONLY
Lamp Size:D16"*H20"~H79"




Intertek
4006677

PENDANT LAMP ASSEMBLY INSTRUCTIONS

1. Please fix part(A) with part(B).
2. Please fix part(D,E) with part(C).
3. Install bulbs (NOT INCLUDED).USE **120V E26**  **1*60W Max.**

