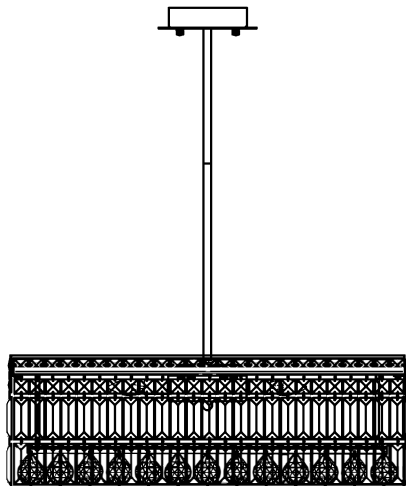


Trade Mark:
CRYSTAL WORLD INC

Product Name: Pendant lamp
Model :8006P20C-R
120Vac, 60Hz,AC ONLY
Lamp Size:Ø20"*H48"



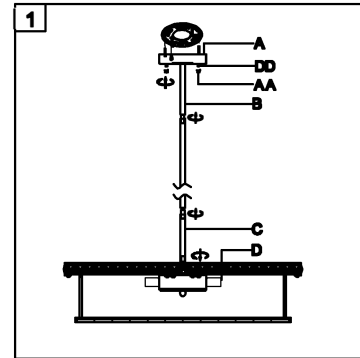
Intertek
4006677

PENDANT LAMP ASSEMBLY INSTRUCTIONS



1.Place fixture(A)onto mounting screws (DD).secure with cap nuts (AA). Please fix (A) with (B).(B) with (C), (C) with (D).

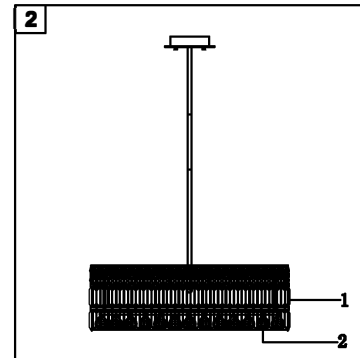
Hardware Used


AA Cap nut  X 2
DD Mounting screw  X 2



2.Please hang the crystal (1) (2) to the fixture .

1  22mm*1PCS
63mm*2PCS
2  40mm*1PCS
91PCS
68PCS



3.Install light bulbs (not included).
Use bulb
120V G9  8*40W Max.

