

# Assembly Instruction Sheet #IS-8004P36C For Style 8004P36C

**Tools Required:** Flathead screwdriver, Phillips screwdriver, pliers, wire cutters, wire strippers, electrical tape, safety glasses.  
**Light Source:** (7) E12 Candelabra Base Bulbs (60W Maximum/Not Included).  
**Estimated Assembly Time:** 10-20 minutes  
**Preparation:** Identify and inspect all parts before beginning installation. Check package content list and diagrams below to be sure all parts are present. If any parts are missing or damaged, do not attempt to assemble, install, or operate the fixture. Contact customer service for replacement parts.

## ⚠Warnings and Cautions

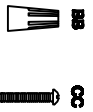
Turn off electricity at circuit breaker or main fuse box before installation. Consult a licensed electrician if in doubt. These instructions are provided for your safety. It is very important you read them completely before installing the fixture. We strongly recommend that a licensed, professional electrician perform the installation. Disconnect fixture from power source before replacing bulbs. Make sure bulbs are given sufficient time to cool before removal.

## Package Contents

- ⊠ 22mmx1PCS  
76mmx1PCS
- 1 Crystal x82
- 30mmx1PCS
- 2 Crystal x52
- 1 Fixture Body x1

## Hardware Contents

PART	DESCRIPTION	QUANTITY
BB	Wire nut	2pcs
CC	Outlet Box Screw	2pcs



### STEP 1 - Release Crossbar from Ceiling Canopy.

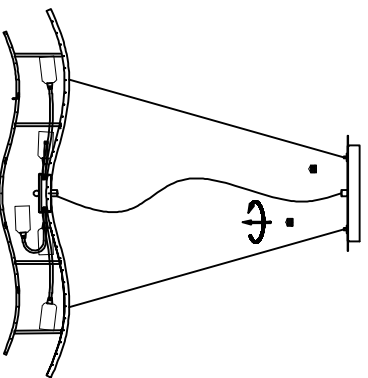


Figure 1

**STEP 2 - Attach Crossbar to Outlet Box.**  
 Appear the supply wires through the Mounting bracket (EE) with the Mounting bracket (EE) to the Outlet Box (CC) with the head of the Green Ground Screw facing you. Secure it with Outlet Box Screws (not included). Tighten until snug.

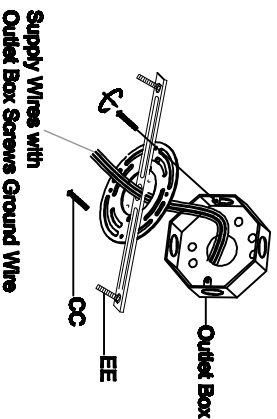


Figure 2

**STEP 3 - Wire Connections**  
 A. Use standard wire connectors (not included) to make all wire connections. Twist connectors until wires are tightly joined together. Wrap each connection with approved electrical tape and carefully stuff all the connected wires into the Outlet Box.

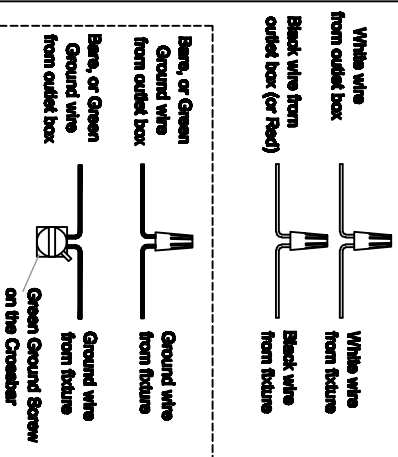


Figure 3

### STEP 4 - Install Ceiling Canopy to Ceiling

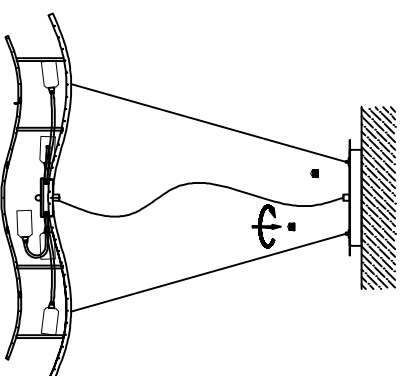


Figure 4

### STEP 5 - Install Crystal and Bulbs.

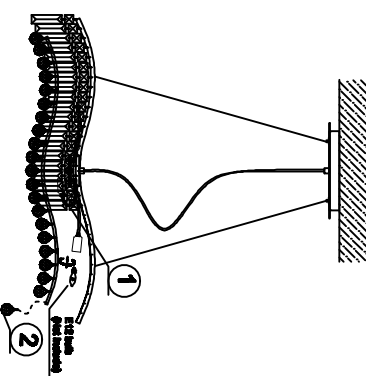


Figure 5