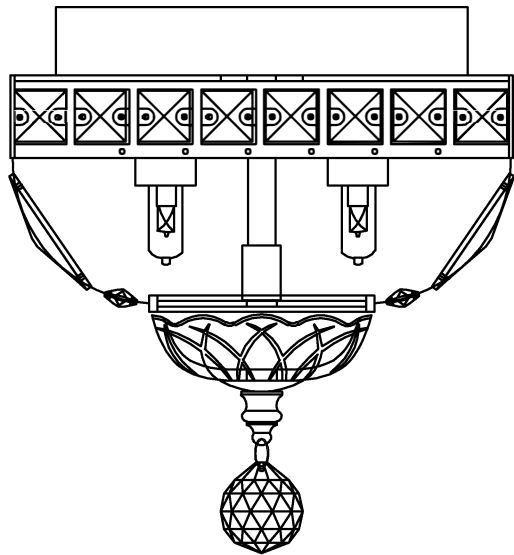


Trade Mark:  
CRYSTAL WORLD INC

Product Name: Ceiling lamp  
Model :8003C8C  
120Vac, 60Hz,AC ONLY  
Lamp size:Ø8"XH8"



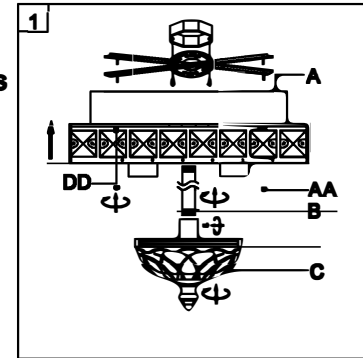
Intertek  
4006677

## CEILING LAMP ASSEMBLY INSTRUCTIONS

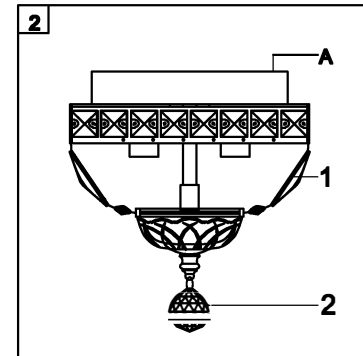
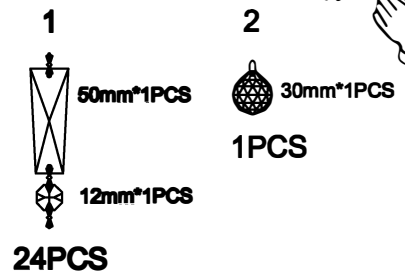
1. Place screw (C) onto (B).
2. Place screw (B) onto fixture(A).
3. Place fixture(A) onto mounting screws (DD).secure with cap nuts (AA).


### Hardware Used

AA Cap nut            X 4  
DD Mounting screw       X 4



2. Please put the crystal(1) (2) to the fixture (A) .



3. Install light bulbs ( not included).  
Use bulb  2\*40W Max.

