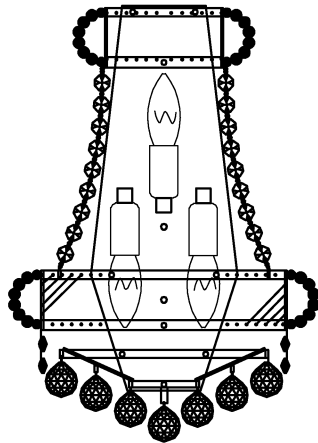


Trade Mark:
CRYSTAL WORLD INC

Product Name: Wall lamp
Model :8001W12C-B
120Vac, 60Hz,AC ONLY
Lamp Size:W12"xH17"xE7"

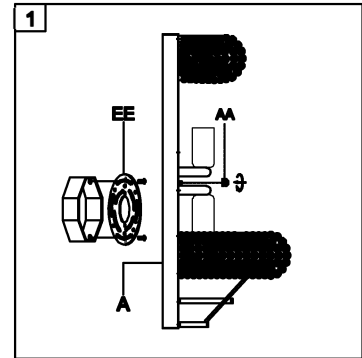


WALL LAMP ASSEMBLY INSTRUCTIONS

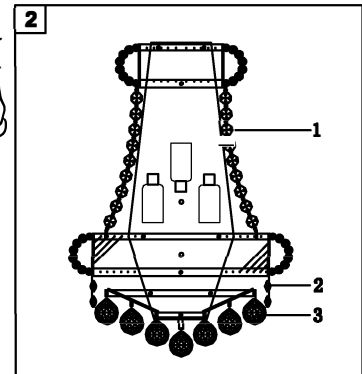
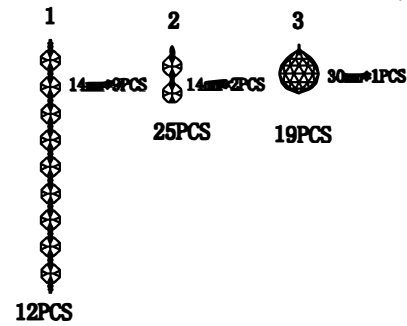
1. Place fixture (A) onto crossbar (EE).
Secure with cap nuts (AA).


Hardware Used

AA Cap nut  X 2



2. Please hang the crystal (1) (2) (3) to the fixture .



3. Install light bulbs (not included).
Use bulb
120V E12  **3*40W Max.**

