

(Step 2 Continued)

D. Fix the Arms and Fixture Body A with the screws. Thread the power cord through the holes on Arms C the loop, finally use the loop to connect the Arms and the Fixture Body A.

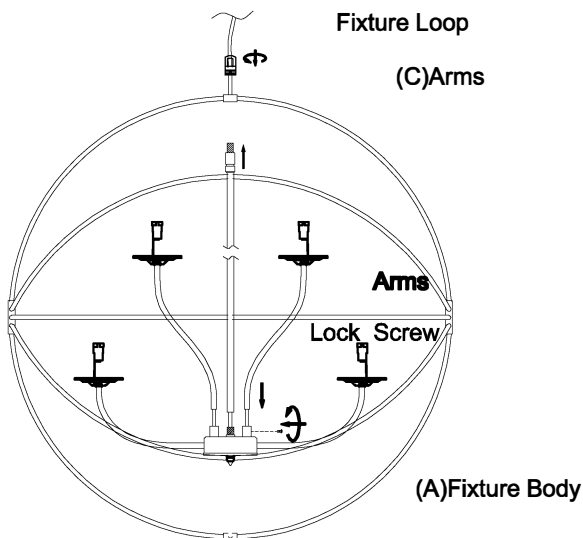


Figure 1

STEP 2— Install the Canopy Chain Loop and Nipple

- A. Thread the nipple into the crossbar. Thread the lock washer and the hex nut onto top end of the nipple. Do not tighten at this moment.
- B. Attach the crossbar to the J- box and secure with J- box screws (not included). Hand tighten until snug.
- C. Thread the canopy chain loop onto the end of the nipple and hand tighten until snug. Place the ceiling canopy over the canopy chain loop against the ceiling to determine the correct position of the nipple. Thread the canopy lock ring onto the canopy chain loop. Adjust the nipple to allow the ceiling canopy to rest against the ceiling when held in place by the canopy lock ring.
- D. Remove the canopy lock ring from the canopy chain loop and remove the ceiling canopy. Unscrew J- box screws to remove the crossbar assembly. Tight the hex nut above the crossbar. And then reinstall the crossbar assembly to the outlet box.

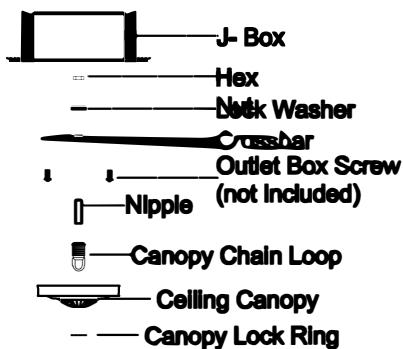


Figure 2

STEP 3 - Install the Fixture Chain and Ceiling Canopy

- A. Adjust the fixture chain to your desired length by removing links if needed.
- B. Pull the supply wires through the fixture chain alternating links. After the wires are through the fixture chain, pull the supply wires and the ground wire through the canopy lock ring and the ceiling canopy in order.
- C. Attach one end of the fixture chain to the fixture loop with one quick link. Lift the fixture and fixture chain up and attach the other end of the fixture chain onto the canopy chain loop with another quick link. The fixture will now hang safely.
- D. Feed the supply wires and ground wire through the canopy chain loop and nipple into the J- box. Cut the wires leaving approximately 8" of wire extending from the J- box.
- E. Go to Step 4 for wire connections and follow the directions. Return to Step F in this step when complete with Step 4.
- F. Raise the ceiling canopy and canopy lock ring up the fixture chain and over the canopy chain loop. Tighten the canopy lock ring onto the canopy chain loop until tight.

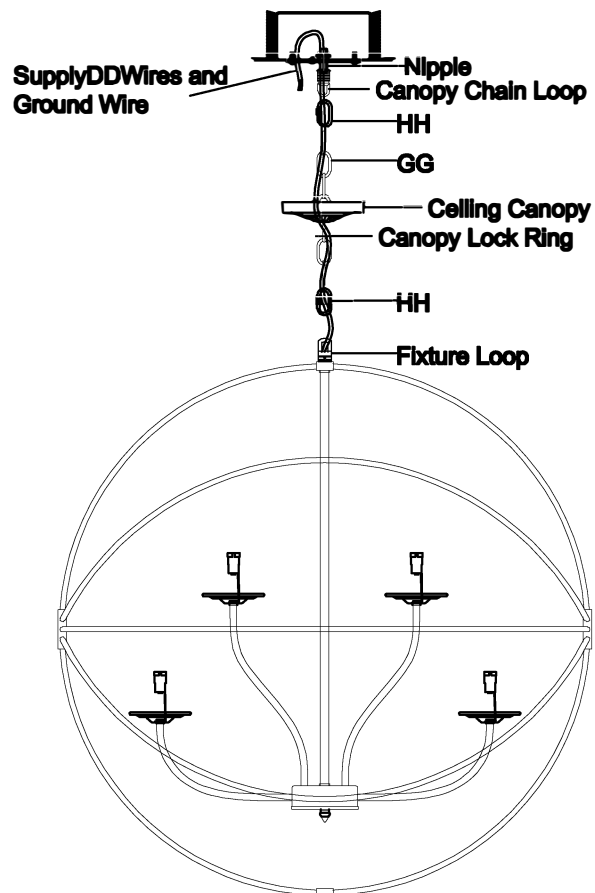


Figure 3