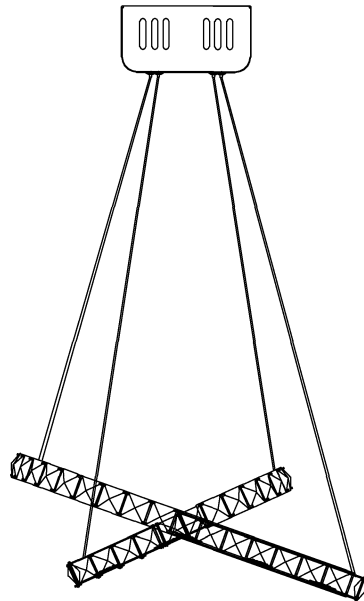


Trade Mark:
CRYSTAL WORLD INC

Product Name: Pendant lamp
Model :5080P20ST-2R
120Vac, 60Hz,AC ONLY
Lamp Size:Ø20"XH118"



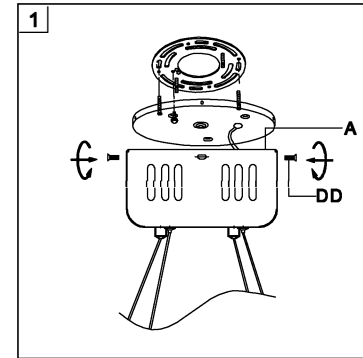
Intertek
4006677

PENDANT LAMP ASSEMBLY INSTRUCTIONS

1. Place fixture (A) onto Crossbar (EE).
secure with Mounting screw (DD).

Hardware Used

DD Mounting screw  X 2



2. lighting bulbs (not included).

**120V LED 18*1W+12*1W
NOT DIMMABLE (4000K)**

