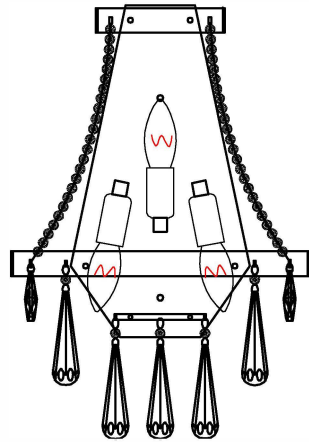


**Trade Mark:
CRYSTAL WORLD INC**

**Product Name: Wall lamp
Model :5078W12C
120Vac, 60Hz,AC ONLY
Lamp Size:W12"xH17"xE7"**

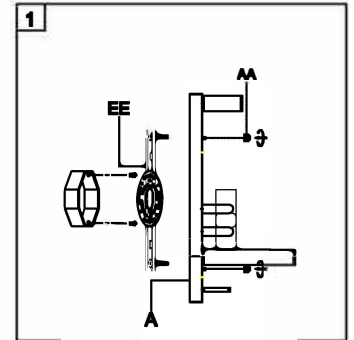


WALL LAMP ASSEMBLY INSTRUCTIONS

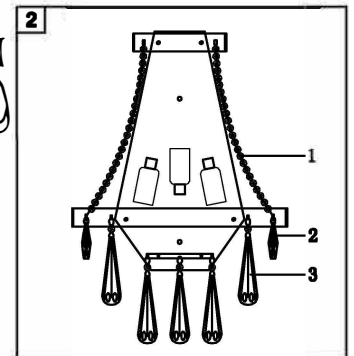
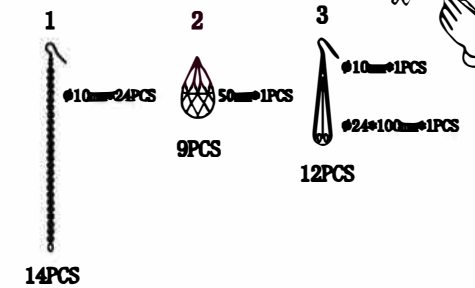
**1. Place fixture(A) onto crossbar (EE).
Secure with cap nuts (AA).**

Hardware Used

AA Cap nut = X 2



2. Please hang the crystal (1) (2) (3) to the fixture .



**3. Install light bulbs (not included).
Use bulb
120V E12 3*40W Max.**

