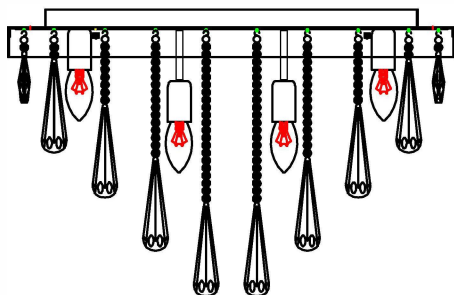


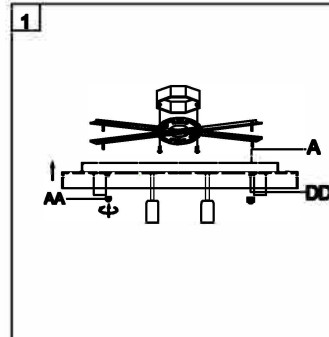
Product Name: Ceiling lamp
 Model :5078C24C
 120Vac, 60Hz,AC ONLY
 Lamp size:φ24"xH15"

Trade Mark:
 CRYSTAL WORLD INC



CEILING LAMP ASSEMBLY INSTRUCTIONS

1. Place fixture(A) onto mounting screws (DD).secure with cap nuts (AA).

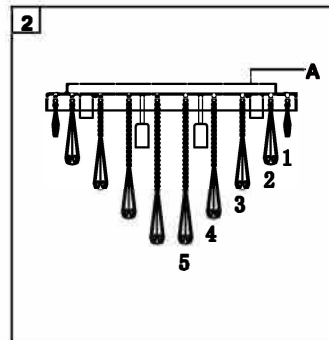
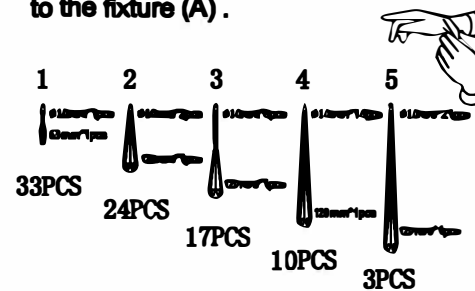


Hardware Used

AA Cap nut ☐ X 4

DD Mounting screw 🌀 X 4

2. Please put the crystal(1) (2) (3) (4) (5) to the fixture (A).



3. Install light bulbs (not included).

Use bulb
 120V E12 🌟 10*40W Max.

