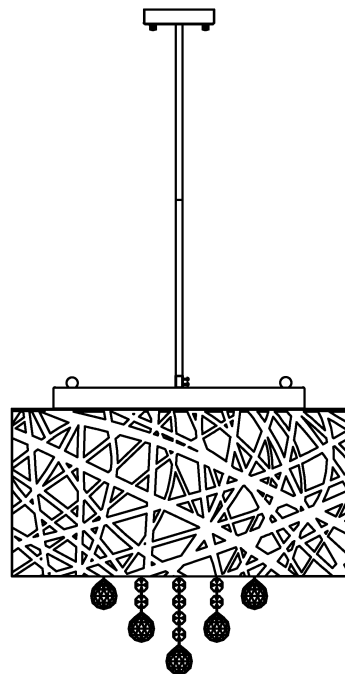


Trade Mark:  
CRYSTAL WORLD INC

Product Name: Pendant lamp  
Model :5008P16C  
120Vac, 60Hz, AC ONLY  
Lamp Size:Ø16"X48"H

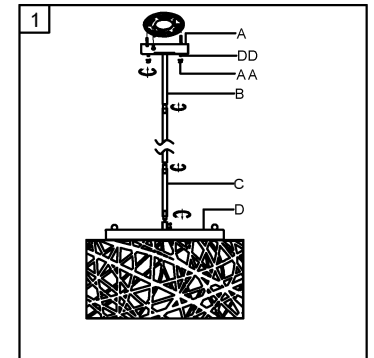


## PENDANT LAMP ASSEMBLY INSTRUCTIONS

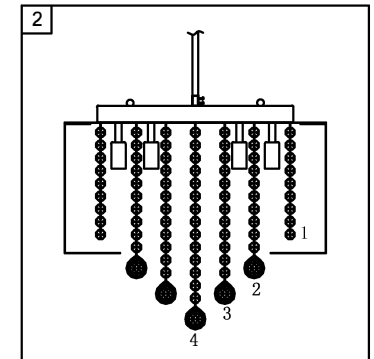
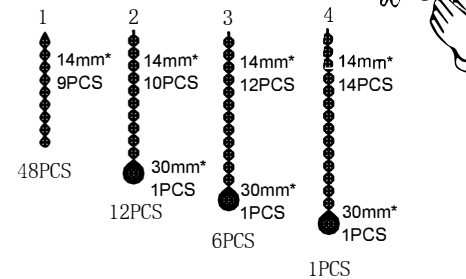
1. Place fixture(A) onto mounting screws (DD). secure with cap nuts (AA). Please fix (A) with (B). (B) with (C), (C) with (D).


### Hardware Used

AA Cap nut  X 2  
DD Mounting screw  X 2



2. Please hang the crystal (1) (2) (3) (4) to the fixture .



3. Install light bulbs ( not included).  
Use bulb  6\*40W Max.

