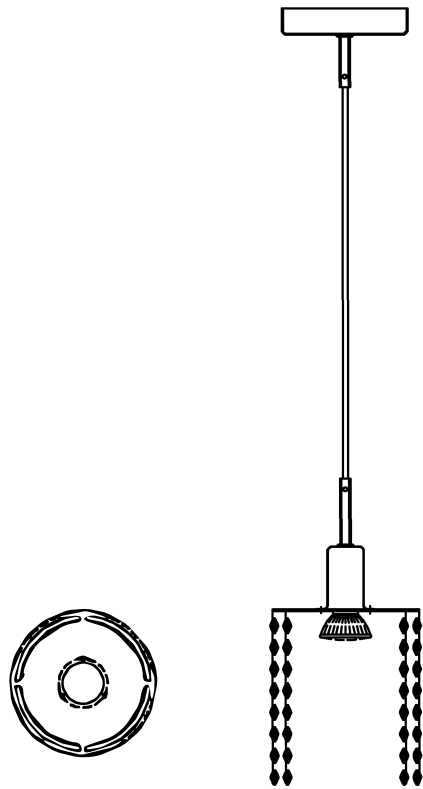


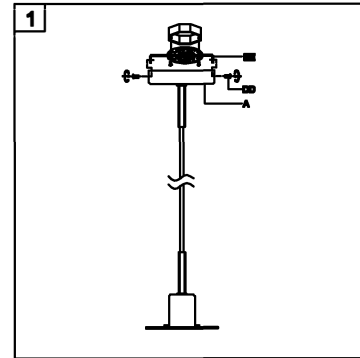
Trade Mark:
CRYSTAL WORLD INC

Product Name: Pendant lamp
Model :4281P-R-R
120Vac, 60Hz,AC ONLY
Lamp Size:Ø6"XH48"



PENDANT LAMP ASSEMBLY INSTRUCTIONS

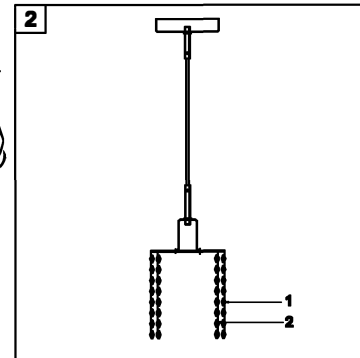
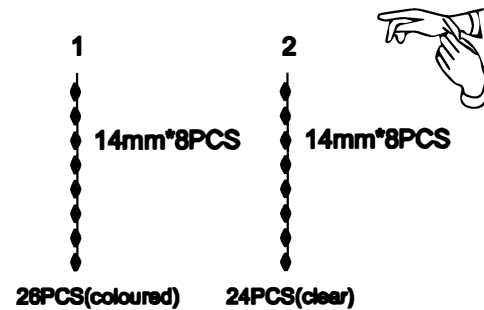
1. Place fixture(A) onto cross bar (EE).
secure with mounting screw (DD).




Hardware Used

CC Mounting screw  X 2

2. Please hang the crystal(1) (2) to the
fixture .



3. Install light bulbs (not included).
Use bulb
120V Gu10  1*35W Max.

