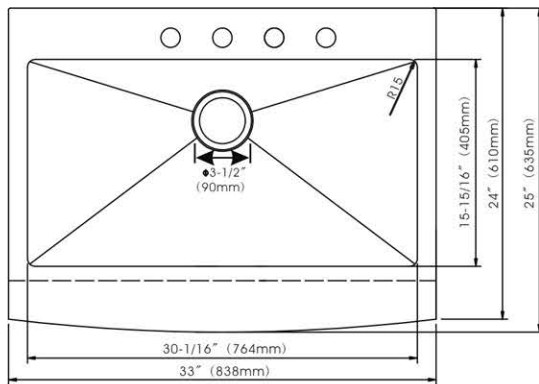
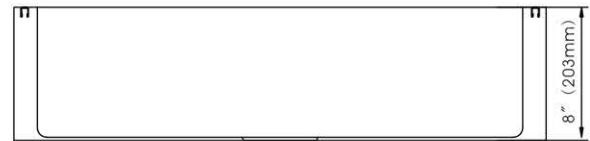


Stainless Steel Kitchen Sink

Retrofit R15 Radius Dual-Mount Single Bowl
 Farm Sink with Curved Front Apron



Product Compliance:
 • ASME A112.19.3-2008 / CSA B45.4-08



Model	Depth	Gauge
482-6519	8"	18G

33" x 25" x 8" Dual-Mount Single Bowl Curved Front Apron Farm Sink

FEATURES

- * Premium Grade T-304 Stainless Steel
- * R15 Radius Corner for Easy Cleaning
- * 8" Apron Height, 8" Depth Bowl, 18 Gauge
- * Lustrous Satin
- * Highlighted Rim
- * 3-1/2" Drain Opening
- * Fully Coated Underneath with Heavy Duty Sound Deadening Pads
- * Includes 7 U-Channel Clips and 7 Fasteners for Top-Mount or Under-Mount Installations
- * Cutout Template (DXF File Available)
- * Limited Lifetime Warranty



Optional Accessories



Basket Strainers



Deep Cup Basket Strainers



Soap Dispensers

Project / Job Name			
Architect / Engineer			
Contractor			
Model		Quantity	
Notes:			