

Noble Series Contractor Three Function Shower Only Trim Pack

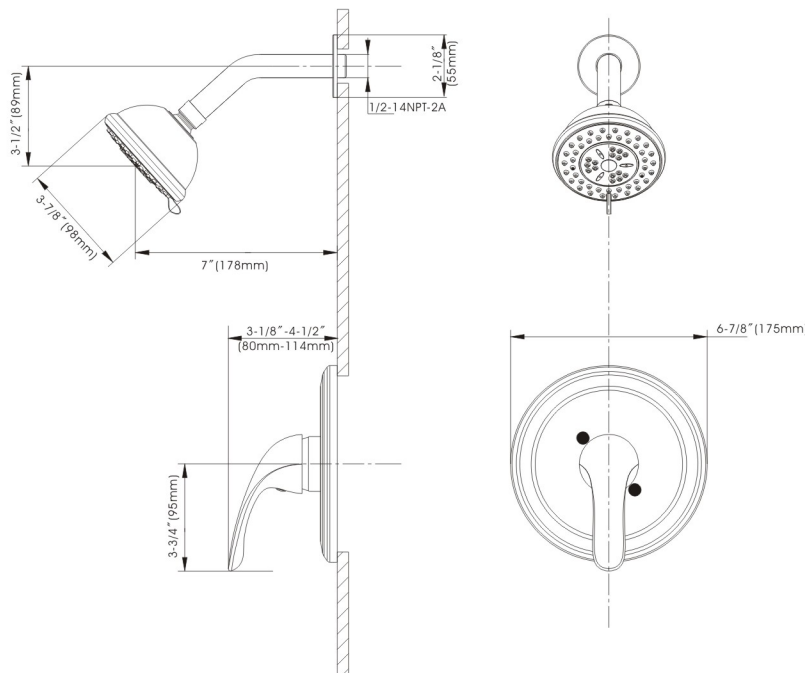


Model No. : 212-5904

- * One Piece Pressure Balanced Ceramic Cartridge with Balancing Spool
- * Back-to-Back Installation Capability
- * 3-7/8" Three Function Shower Head
- * Metal Shower Arm with Flange
- * Metal Escutcheon with Screws
- * Zinc Handle
- * Matching Finish Trim Sleeve
- * 1.5 GPM@80 PSI Shower Head

Project / Job Name	
Architect / Engineer	
Contractor	
Model	
Quantity	

Model No. : 212-5904 (CH) **(Shown Model)** 212-5905 (BN *Spotless* PVD) 212-5906 (ORB)



Product Compliance:

- ASME A112.18.1 / CSA B125.1
- ANSI A117.1 (ADA)
- ASSE 1016

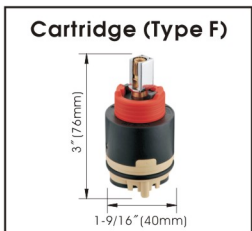
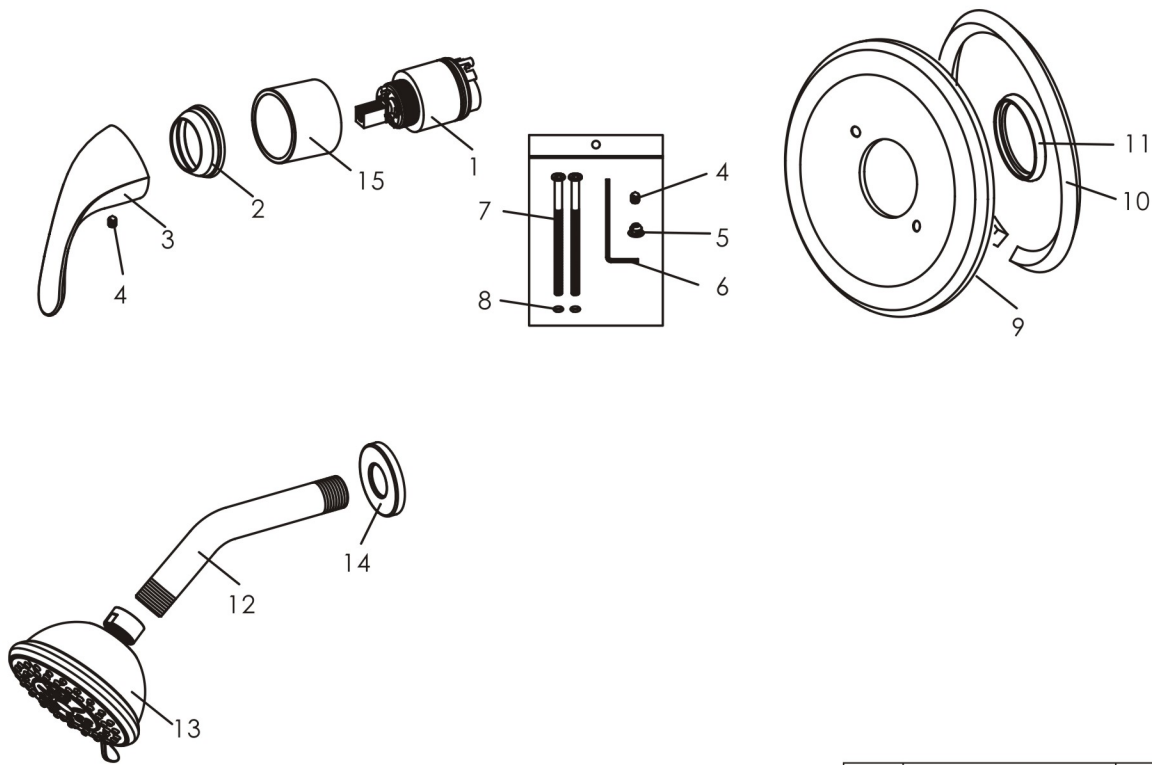
Noble Series Contractor Three Function Shower Only Trim Pack

Model No. :

212-5904 (Polished Chrome)

212-5905 (Brushed Nickel *Spotless PVD*)

212-5906 (Oil-Rubbed Bronze)



No.	Part Name	Material
1	Cartridge	Ceramic
2	Cartridge Housing Cap	Zinc
3	Handle	Zinc
4	Screw	Stainless Steel
5	Index	Plastic
6	Allen Key	Steel
7	Screw	Stainless Steel
8	O-ring	Rubber
9	Deck Plate	Stainless Steel
10	Gasket	Sponge
11	Sealing Ring	Rubber
12	Shower Arm	Stainless Steel
13	Shower Head	Plastic
14	Stainless Cap	Stainless Steel
15	Cartridge Cover	Brass