

Noble - Contractor Handle & Escutcheon Trim Pack



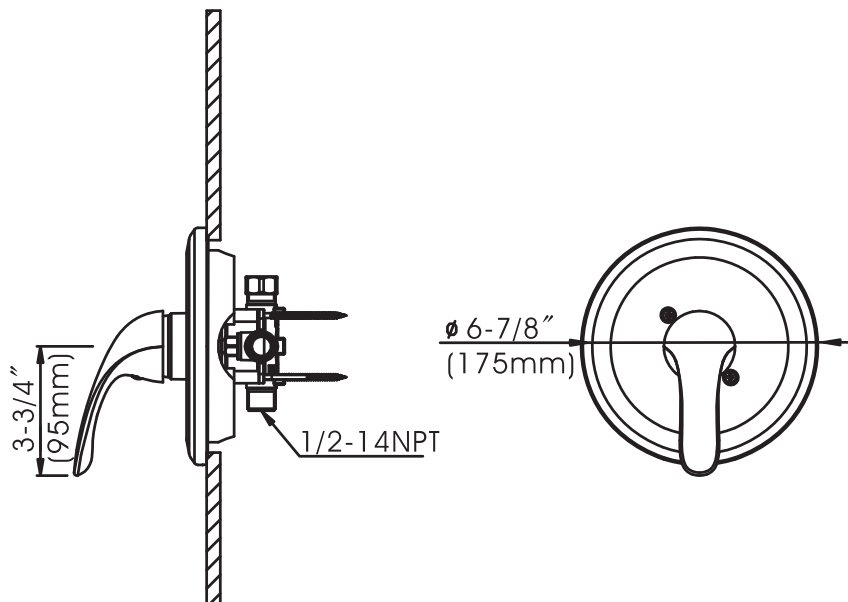
- * One Piece Pressure Balanced Ceramic Cartridge with Balancing Spool
- * Back-to-Back Installation Capability
- * Metal Escutcheon with Screws
- * Zinc Handle
- * 100% Pressure System Tested

Project / Job Name	
Architect / Engineer	
Contractor	
Model	
Quantity	

Model No. :

192-6824 (CH)
(Shown Model)

192-6825 (BN *Spotless PVD*)



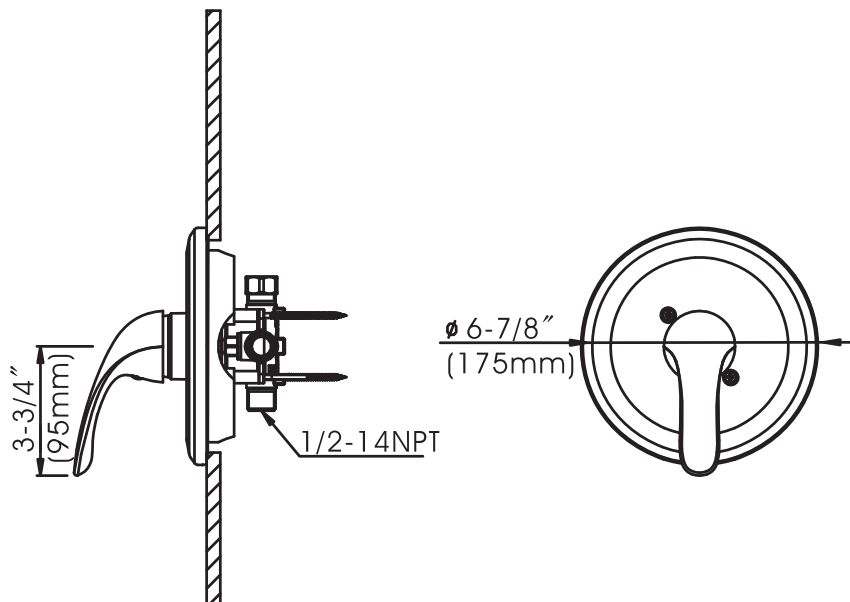
Noble - Contractor Handle & Escutcheon Trim Pack



- * One Piece Pressure Balanced Ceramic Cartridge with Balancing Spool
- * Back-to-Back Installation Capability
- * Metal Escutcheon with Screws
- * Zinc Handle
- * 100% Pressure System Tested

Project / Job Name	
Architect / Engineer	
Contractor	
Model	
Quantity	

Model No. :
 192-6824 (CH) 192-6825 (BN *Spotless PVD*)
(Shown Model)

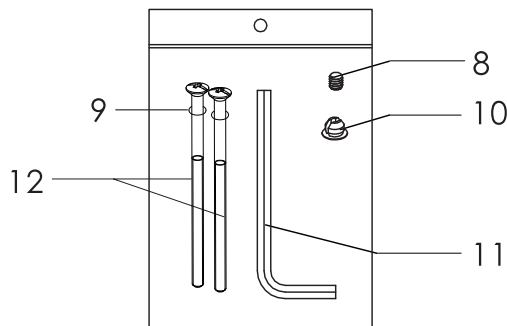
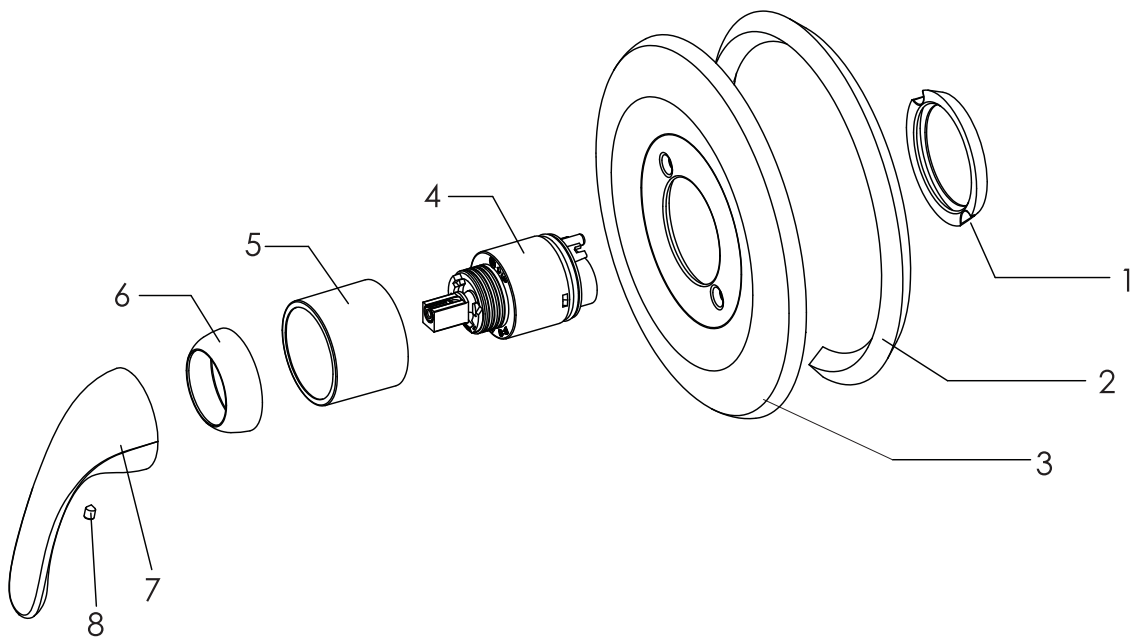


Noble - Contractor Handle & Escutcheon Trim Pack

Model No. :

192-6824 (Polished Chrome)

192-6825 (Brushed Nickel Spotless PVD)



No.	Part Name	Material
1	Sealing Ring	Rubber
2	Sealing Ring	Sponge
3	Escutcheon	Stainless Steel
4	Cartridge	Ceramic
5	Cartridge Sleeve	Zinc
6	Cartridge Locknut	Plastic
7	Handle	Zinc
8	Set Screw	Stainless Steel
9	O-ring	Rubber
10	Hot/Cold Button	Plastic
11	Allen Key	Steel
12	Escutcheon Screw	Stainless Steel

Technical Support: warranty@cmiproduct.com
 Hour of Operation: Mon - Fri 8:30 a.m - 5:00 p.m. EST