

# Casmir - Contractor Handle & Escutcheon Trim Pack



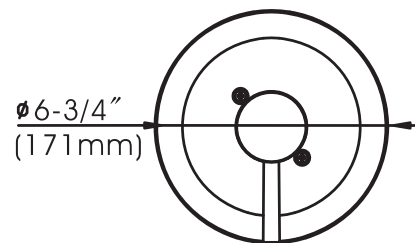
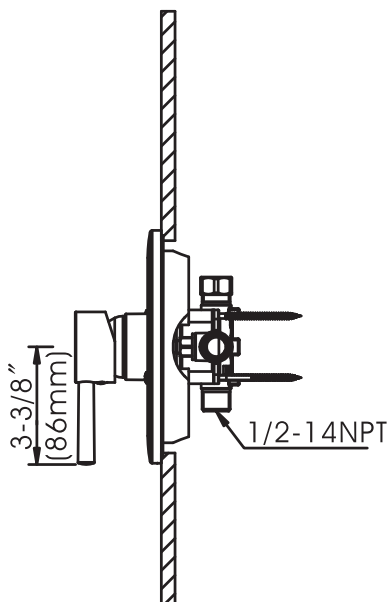
- \* One Piece Pressure Balanced Ceramic Cartridge with Balancing Spool
- \* Back-to-Back Installation Capability
- \* Metal Escutcheon with Screws
- \* Zinc Handle
- \* 100% Pressure System Tested

Project / Job Name	
Architect / Engineer	
Contractor	
Model	
Quantity	

**Model No. :**

192-6822 (CH)  
(Shown Model)

192-6823 (BN *Spotless PVD*)



# Casmir - Contractor Handle & Escutcheon Trim Pack



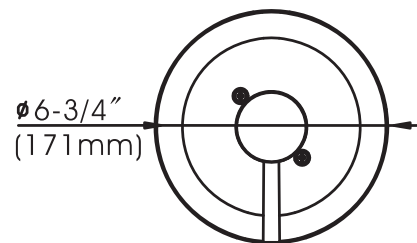
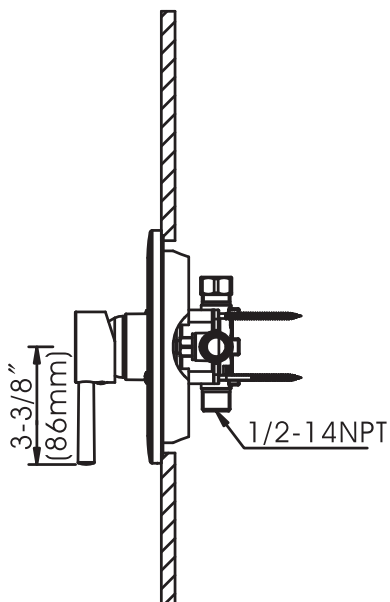
- \* One Piece Pressure Balanced Ceramic Cartridge with Balancing Spool
- \* Back-to-Back Installation Capability
- \* Metal Escutcheon with Screws
- \* Zinc Handle
- \* 100% Pressure System Tested

Project / Job Name	
Architect / Engineer	
Contractor	
Model	
Quantity	

**Model No. :**

192-6822 (CH)

192-6823 (BN *Spotless PVD*)  
(Shown Model)

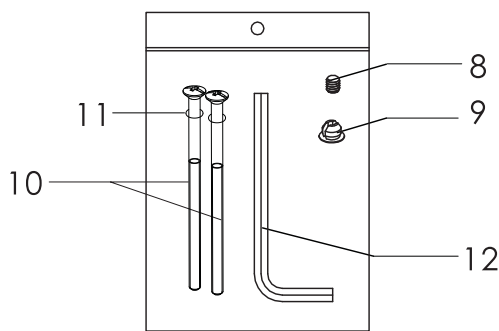
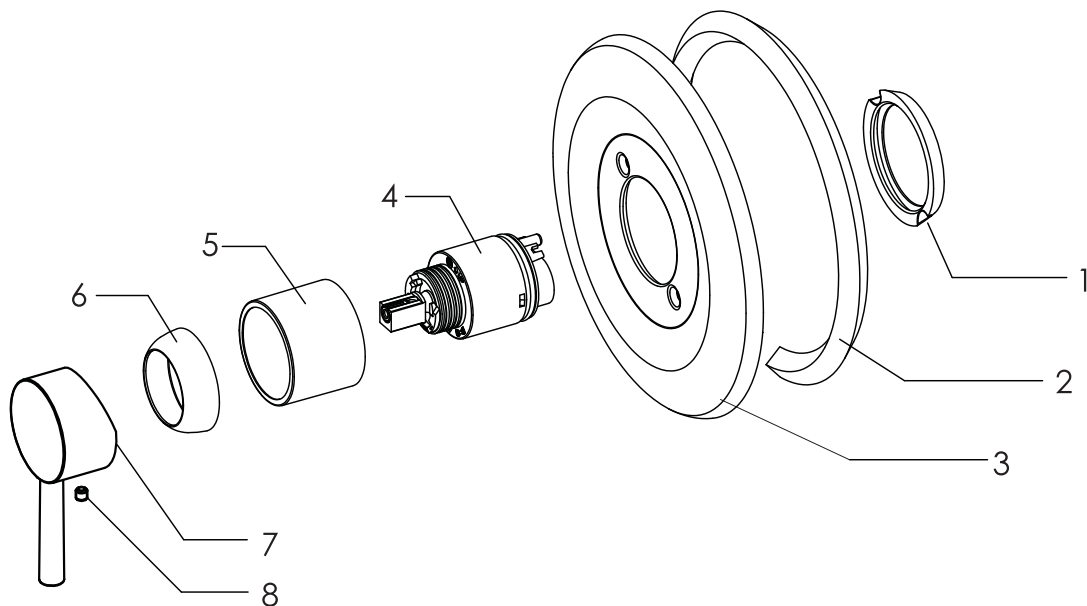


# Casmir - Contractor Handle & Escutcheon Trim Pack

**Model No. :**

192-6822 (Polished Chrome)

192-6823 (Brushed Nickel Spotless PVD)



No.	Part Name	Material
1	Sealing Ring	Rubber
2	Sealing Ring	Sponge
3	Escutcheon	Stainless Steel
4	Cartridge	Ceramic
5	Cartridge Sleeve	Zinc
6	Cartridge Locknut	Plastic
7	Handle	Zinc
8	Set Screw	Stainless Steel
9	Hot/Cold Button	Plastic
10	Escutcheon Screw	Stainless Steel
11	O-ring	Rubber
12	Allen Key	Steel

Technical Support: [warranty@cmiproduct.com](mailto:warranty@cmiproduct.com)  
 Hour of Operation: Mon - Fri 8:30 a.m - 5:00 p.m. EST