

# Casmir - Single Handle Bar Faucet



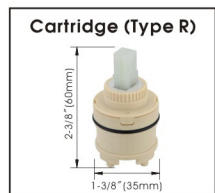
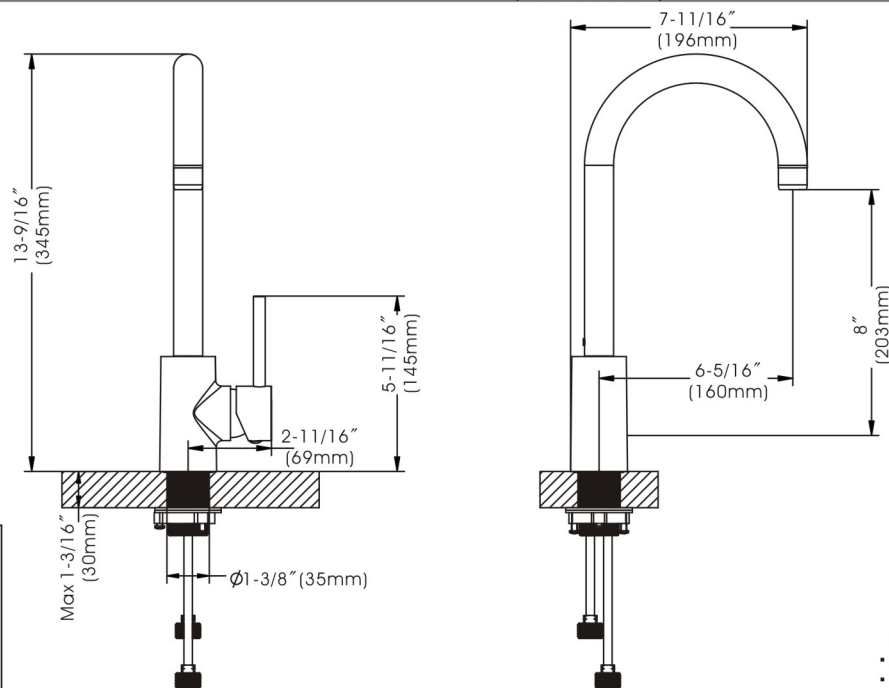
- \* Single Hole Installation
- \* 8" High and 6-5/16" Long Spout, Zinc Handle
- \* 360° Swing Brass Spout
- \* Copper Waterway Construction with 1/2" -14 NPSM Connection
- \* Premium Grade Ceramic Cartridge (Type R)
- \* Flow Rate: 1.8GPM
- \* 100% Pressure System Tested
- \* Lifetime Limited Warranty; 5 year warranty from date of purchase for Commercial users.

Project / Job Name	
Architect / Engineer	
Contractor	
Model	
Quantity	

**Model No. :**

192-6504 (CH)

192-6505 (BN *Spotless PVD*)  
 (Shown Model)



- Product Compliance:**
- ASME A112.18.1 / CSA B125.1
  - NSF 61 - Section 9
  - NSF 372 (Low Lead Content)
  - ANSI A117.1 (ADA)