

## Casmir - Single Handle Pressure Balanced Tub & Shower Set



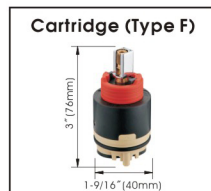
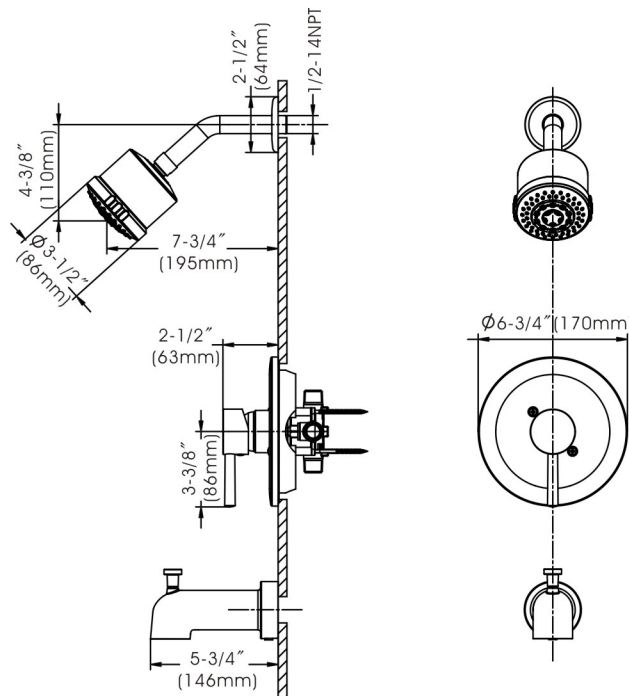
- \* Pressure Balanced Valve with Integral Stops & Ceramic Disc Cartridge (Type F)
- \* Solid Brass Waterway Construction with 1/2" - 14NPT Connection
- \* 5-3/4" Zinc Die Cast Diverter Tub Spout
- \* 3-1/2" Five Function Plastic Showerhead with Stainless Steel Shower Arm and Escutcheon
- \* 1.5 GPM Flow Rate
- \* 100% Pressure System Tested
- \* Contractor Pack Available
- \* Lifetime Limited Warranty; 5 year warranty from date of purchase for Commercial users

Project / Job Name	
Architect / Engineer	
Contractor	
Model	
Quantity	

**Model No. :**

192-6486 (CH)

192-6487 (BN *Spotless PVD*)  
 (Shown Model)



**Product Compliance:**

- ASME A112.18.1 / CSA B125.1
- ANSI A117.1 (ADA)
- ASSE 1016