

Casmir - Single Handle Pressure Balanced Tub & Shower Set



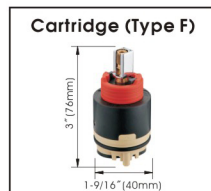
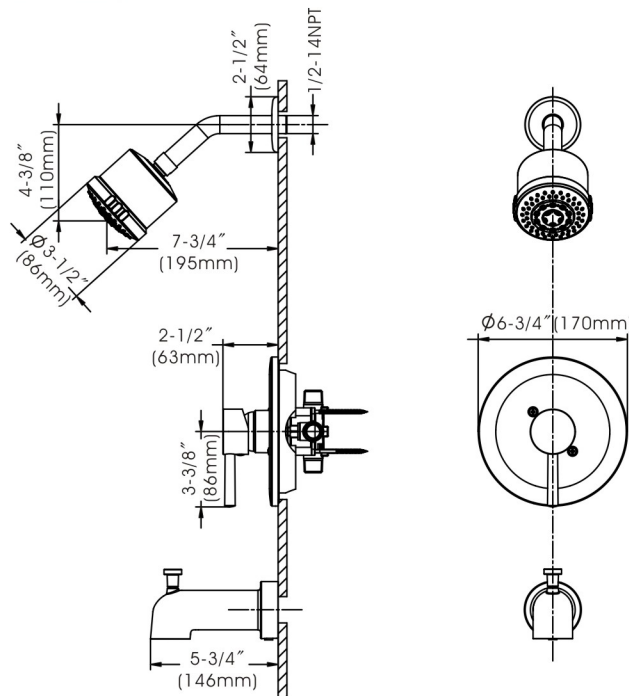
- * Pressure Balanced Valve with Integral Stops & Ceramic Disc Cartridge (Type F)
- * Solid Brass Waterway Construction with 1/2" - 14NPT Connection
- * 5-3/4" Zinc Die Cast Diverter Tub Spout
- * 3-1/2" Five Function Plastic Showerhead with Stainless Steel Shower Arm and Escutcheon
- * 1.5 GPM Flow Rate
- * 100% Pressure System Tested
- * Contractor Pack Available
- * Lifetime Limited Warranty; 5 year warranty from date of purchase for Commercial users

Project / Job Name	
Architect / Engineer	
Contractor	
Model	
Quantity	

Model No. :

192-6486 (CH)
 (Shown Model)

192-6487 (BN *Spotless PVD*)



Product Compliance:

- ASME A112.18.1 / CSA B125.1
- ANSI A117.1 (ADA)
- ASSE 1016