

# Casmir - Single Handle Vessel Faucet



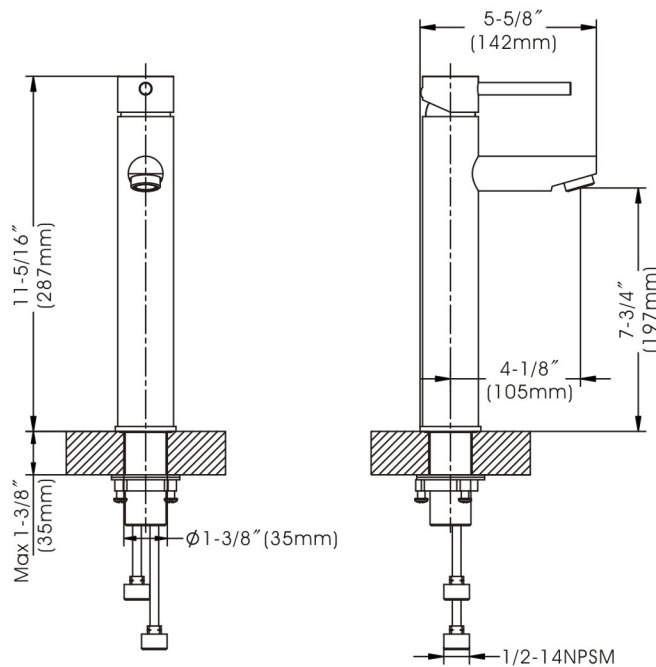
- \* Single Hole Installation
- \* Includes a Unique Push Down Pop-up Drain that Works for Both Overflow and No Overflow Lavatory Sinks
- \* 7-3/4" High and 4-1/8" Long One Piece Solid Cast Brass Spout, Zinc Handle
- \* Copper Waterway Construction with 1/2" -14 NPSM Connection
- \* Premium Grade Ceramic Cartridge (Type N)
- \* Flow Rate: 1.2GPM
- \* 100% Pressure System Tested
- \* Lifetime Limited Warranty; 5 year warranty from date of purchase for Commercial users.

|                      |  |
|----------------------|--|
| Project / Job Name   |  |
| Architect / Engineer |  |
| Contractor           |  |
| Model                |  |
| Quantity             |  |

**Model No. :**

192-6480 (CH)  
 (Shown Model)

192-6481 (BN *Spotless PVD*)



- Product Compliance:**
- ASME A112.18.1 / CSA B125.1
  - NSF 61 - Section 9
  - NSF 372 (Low Lead Content)
  - ANSI A117.1 (ADA)
  - EPA - Water Sense