

## Casmir - Single Handle Bathroom Faucet



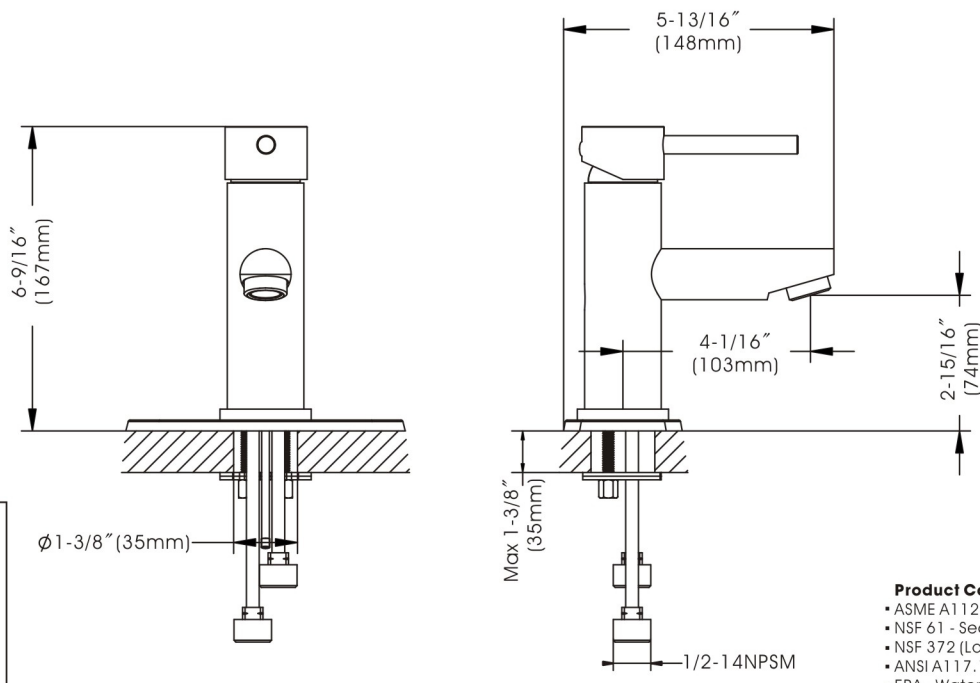
- \* Includes Stainless Steel Deck Plate for 1 or 3 Hole Installation
- \* Brass Pop-up Drain Assembly Included
- \* 2-15/16" High and 4-1/16" Long Brass Spout, Zinc Handle
- \* Copper Waterway Construction with 1/2" -14 NPSM Connection
- \* Premium Grade Ceramic Cartridge (Type N)
- \* Flow Rate: 1.2GPM
- \* 100% Pressure System Tested
- \* Lifetime Limited Warranty; 5 year warranty from date of purchase for Commercial users.

Project / Job Name	
Architect / Engineer	
Contractor	
Model	
Quantity	

**Model No. :**

192-6477 (CH)

192-6478 (BN *Spotless PVD*)  
 (Shown Model)



- Product Compliance:**
- ASME A112.18.1 / CSA B125.1
  - NSF 61 - Section 9
  - NSF 372 (Low Lead Content)
  - ANSI A117.1 (ADA)
  - EPA - Water Sense