

Casmir - Single Handle Bathroom Faucet



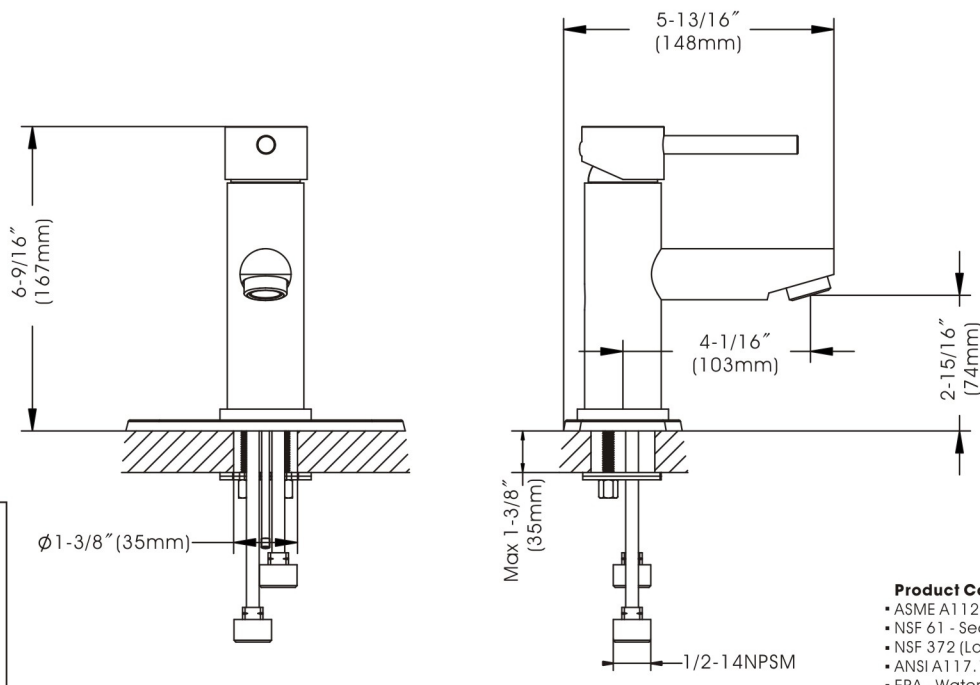
- * Includes Stainless Steel Deck Plate for 1 or 3 Hole Installation
- * Brass Pop-up Drain Assembly Included
- * 2-15/16" High and 4-1/16" Long Brass Spout, Zinc Handle
- * Copper Waterway Construction with 1/2" -14 NPSM Connection
- * Premium Grade Ceramic Cartridge (Type N)
- * Flow Rate: 1.2GPM
- * 100% Pressure System Tested
- * Lifetime Limited Warranty; 5 year warranty from date of purchase for Commercial users.

Project / Job Name	
Architect / Engineer	
Contractor	
Model	
Quantity	

Model No. :

192-6477 (CH)
 (Shown Model)

192-6478 (BN *Spotless PVD*)



- Product Compliance:**
- ASME A112.18.1 / CSA B125.1
 - NSF 61 - Section 9
 - NSF 372 (Low Lead Content)
 - ANSI A117.1 (ADA)
 - EPA - Water Sense