

Casmir - Single Handle Spring Coil Pull-down Kitchen Faucet



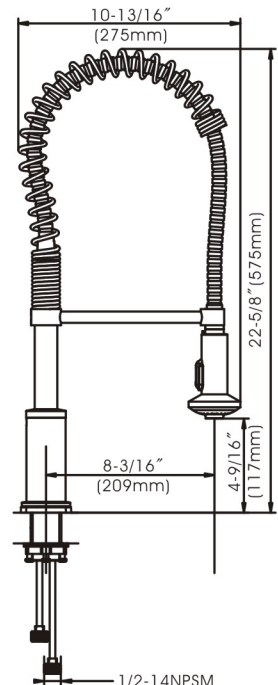
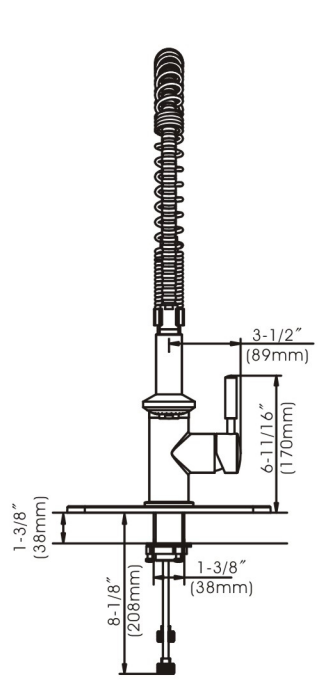
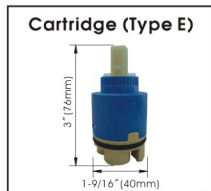
- * Includes Stainless Steel Deck Plate for 1 or 3 Hole Installation
- * 4-9/16" High and 8-3/16" Long Spout, Zinc Handle
- * 360° Swing Stainless Steel Spout
- * Copper Waterway Construction with 1/2" -14 NPSM Connection
- * Matching Plastic Two Function Pull-down Spray
- * Premium Grade Ceramic Cartridge (Type E)
- * Flow Rate: 1.8GPM
- * 100% Pressure System Tested
- * Lifetime Limited Warranty; 5 year warranty from date of purchase for Commercial users.

Project / Job Name	
Architect / Engineer	
Contractor	
Model	
Quantity	

Model No. :

192-6473 (CH)

192-6474 (BN *Spotless PVD*)
 (Shown Model)



- Product Compliance:**
- ASME A112.18.1 / CSA B125.1
 - NSF 61 - Section 9
 - NSF 372 (Low Lead Content)
 - ANSI A117.1 (ADA)