

**Cardania Series Contractor Single Function Shower Only Trim Pack**



**Model No. : 192-6425**

- \* One Piece Pressure Balanced Ceramic Cartridge with Balancing Spool
- \* Back-to-Back Installation Capability
- \* 6" Single Function Shower Head
- \* Metal Shower Arm with Flange
- \* Metal Escutcheon with Screws
- \* Zinc Handle
- \* Matching Finish Trim Sleeve
- \* 1.5 GPM@80 PSI Shower Head

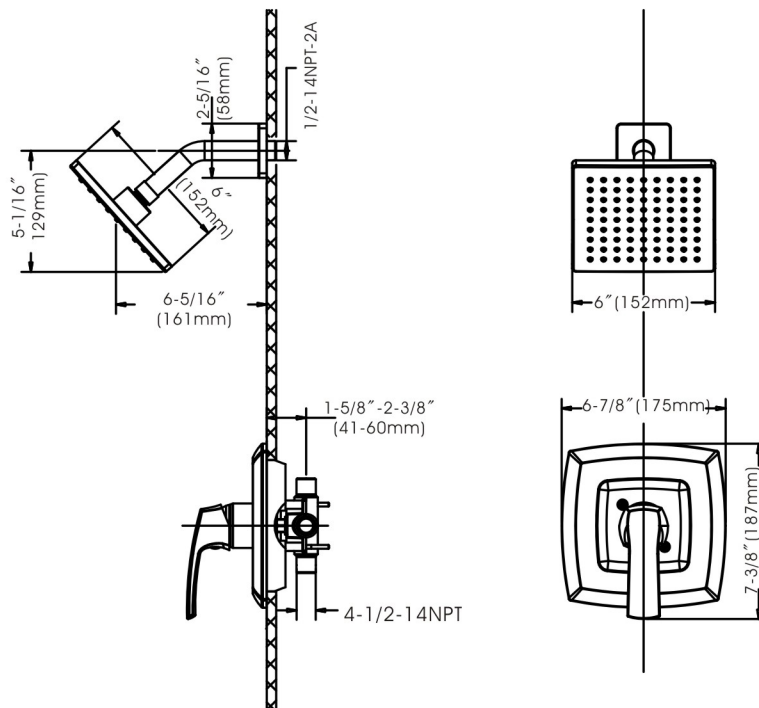
Project / Job Name	
Architect / Engineer	
Contractor	
Model	
Quantity	

**Model No. :**

192-6425 (CH)  
 (Shown Model)

192-6426 (BN *Spotless PVD*)

192-6427 (ORB)



**Product Compliance:**

- ASME A112.18.1 / CSA B125.1
- ANSI A117.1 (ADA)
- ASSE 1016