

Cardania - Single Handle Pressure Balanced Tub & Shower Set



- * Pressure Balanced Valve with Integral tops & Ceramic Disc Cartridge (Type F)
- * Solid Brass Waterway Construction with 1/2" - 14NPT Connection
- * 7-3/4" Zinc Die Cast Diverter Tub Spout
- * 6" Matching Single Function Plastic Showerhead with Stainless Steel Shower Arm and Escutcheon
- * 1.5 GPM Flow Rate
- * 100% Pressure System Tested
- * Contractor Pack Available
- * Lifetime Limited Warranty; 5 year warranty from date of purchase for Commercial users.

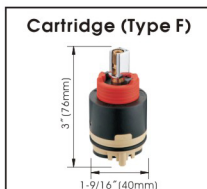
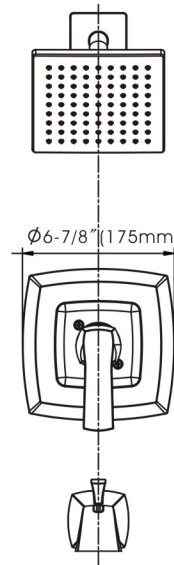
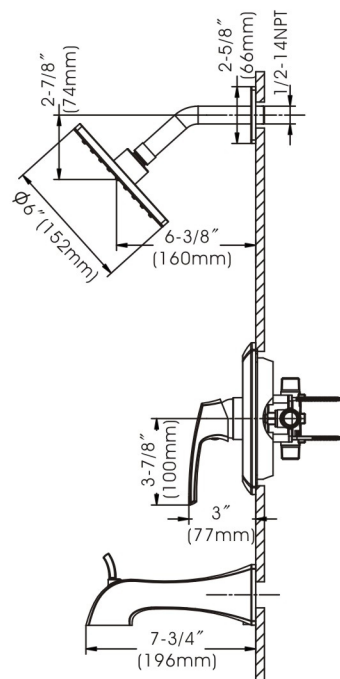
Project / Job Name	
Architect / Engineer	
Contractor	
Model	
Quantity	

Model No. :

192-6419 (CH)

192-6420 (BN *Spotless PVD*)

192-6421 (ORB)
 (Shown Model)



- Product Compliance:**
- ASME A112.18.1 / CSA B125.1
 - ANSI A117.1 (ADA)
 - ASSE 1016