

## Cardania - Single Handle Pressure Balanced Tub & Shower Set



- \* Pressure Balanced Valve with Integral tops & Ceramic Disc Cartridge (Type F)
- \* Solid Brass Waterway Construction with 1/2" - 14NPT Connection
- \* 7-3/4" Zinc Die Cast Diverter Tub Spout
- \* 6" Matching Single Function Plastic Showerhead with Stainless Steel Shower Arm and Escutcheon
- \* 1.5 GPM Flow Rate
- \* 100% Pressure System Tested
- \* Contractor Pack Available
- \* Lifetime Limited Warranty; 5 year warranty from date of purchase for Commercial users.

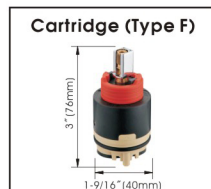
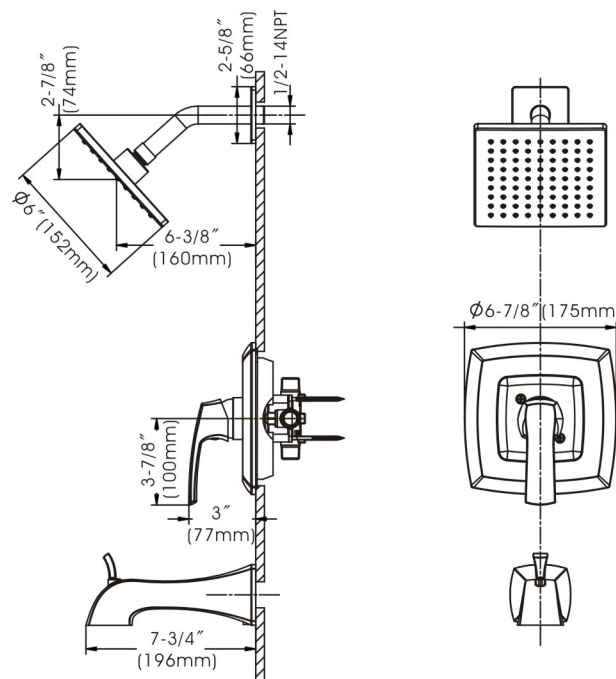
Project / Job Name	
Architect / Engineer	
Contractor	
Model	
Quantity	

**Model No. :**

192-6419 (CH)

192-6420 (BN *Spotless PVD*)  
 (Shown Model)

192-6421 (ORB)



**Product Compliance:**

- ASME A112.18.1 / CSA B125.1
- ANSI A117.1 (ADA)
- ASSE 1016