

Cardania - Two Handle Bar Faucet



- * 4" Centerset, 2 Hole Installation
- * 8-15/16" High and 6-15/16" Long Brass Spout
- * 4" High Zinc Handle
- * Brass Waterway Construction
- * Sleek and Functional Two-Handle Design
- * 1/2" IPS Connections
- * 1/4 Turn Ceramic Cartridges (Type I)
- * Flow Rate: 1.8GPM
- * 100% Pressure System Tested
- * Lifetime Limited Warranty; 5 year warranty from date of purchase for Commercial users.

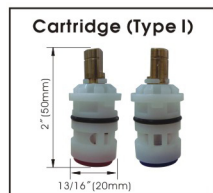
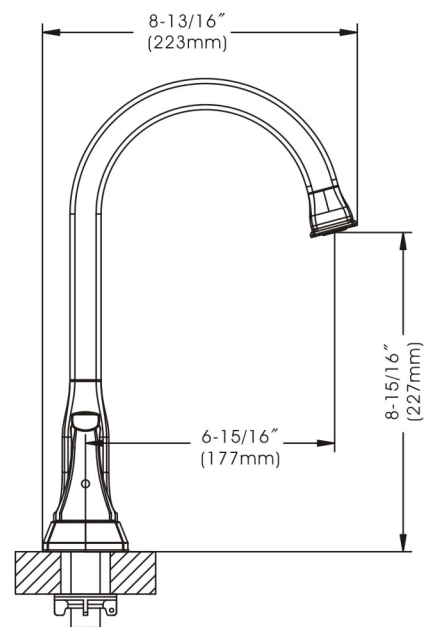
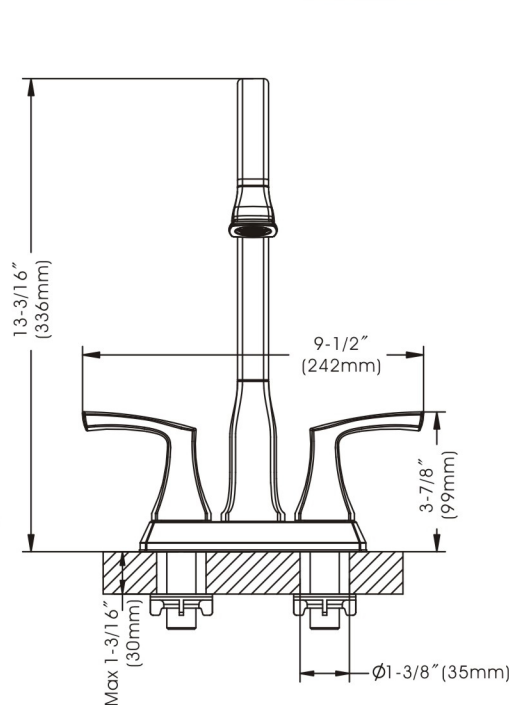
| | |
|----------------------|--|
| Project / Job Name | |
| Architect / Engineer | |
| Contractor | |
| Model | |
| Quantity | |

Model No. :

192-6416 (CH)

192-6417 (BN *Spotless PVD*)
 (Shown Model)

192-6418 (ORB)



- Product Compliance:**
- ASME A112.18.1 / CSA B125.1
 - NSF 61 - Section 9
 - NSF 372 (Low Lead Content)
 - ANSI A117.1 (ADA)