

Cardania - Single Handle Bathroom Faucet



- * Includes Stainless Steel Deck Plate for 1 or 3 Hole Installation
- * Brass Pop-up Drain Assembly Included
- * 4-7/16" High and 5-1/8" Long Spout, Zinc Handle
- * Copper Waterway Construction with 1/2" -14 NPSM Connection
- * Premium Grade Ceramic Cartridge (Type Q)
- * Flow Rate: 1.2GPM
- * 100% Pressure System Tested
- * Lifetime Limited Warranty; 5 year warranty from date of purchase for Commercial users.

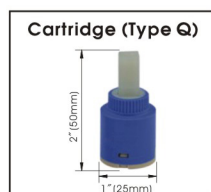
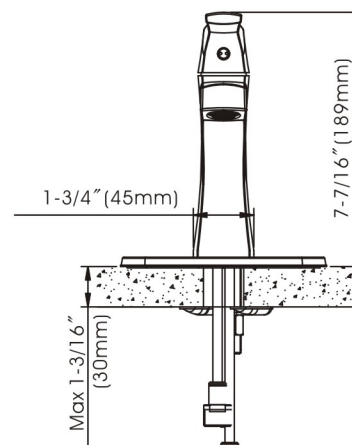
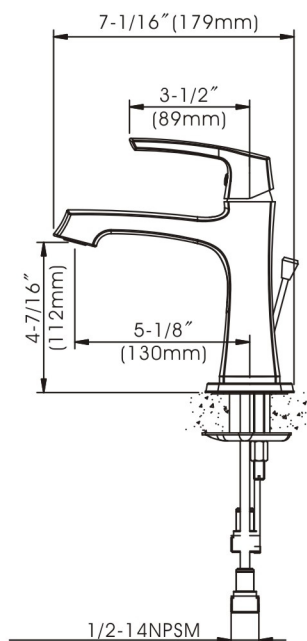
| | |
|----------------------|--|
| Project / Job Name | |
| Architect / Engineer | |
| Contractor | |
| Model | |
| Quantity | |

Model No. :

192-6398 (CH)
 (Shown Model)

192-6399 (BN *Spotless PVD*)

192-6400 (ORB)



- Product Compliance:**
- ASME A112.18.1 / CSA B125.1
 - NSF 61 - Section 9
 - NSF 372 (Low Lead Content)
 - ANSI A117.1 (ADA)
 - EPA - Water Sense