

Noble - Single Handle Kitchen Faucet



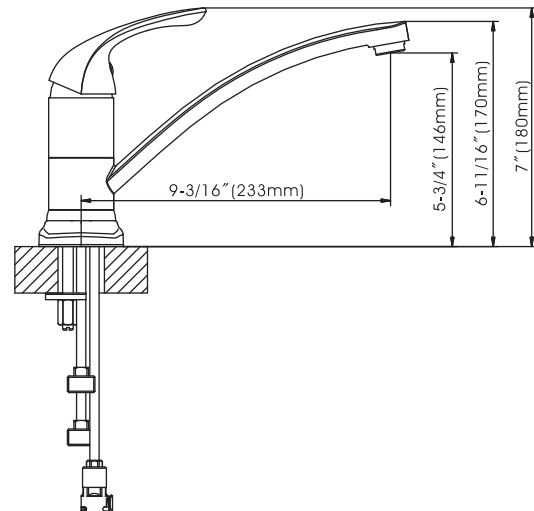
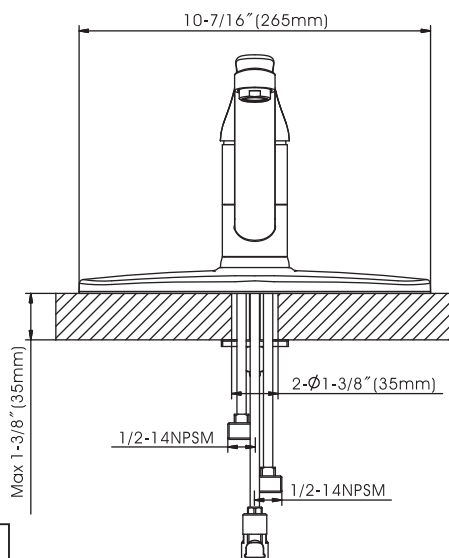
- * 8" Center-set, 3 Hole Installation, 360° Swing Brass Tube Spout, Zinc Handle
- * Removable Stainless Steel Deck Plate For Single Hole Installation
- * Copper Waterway Construction with 1/2" -14 NPSM Connection
- * Premium Grade Ceramic Cartridge (Type H)
- * Flow Rate: 1.8GPM
- * 100% Pressure System Tested

Project / Job Name	
Architect / Engineer	
Contractor	
Model	
Quantity	

Model No. :

191-6572 (CH)
 (Shown Model)

191-6573 (BN *Spotless* PVD)



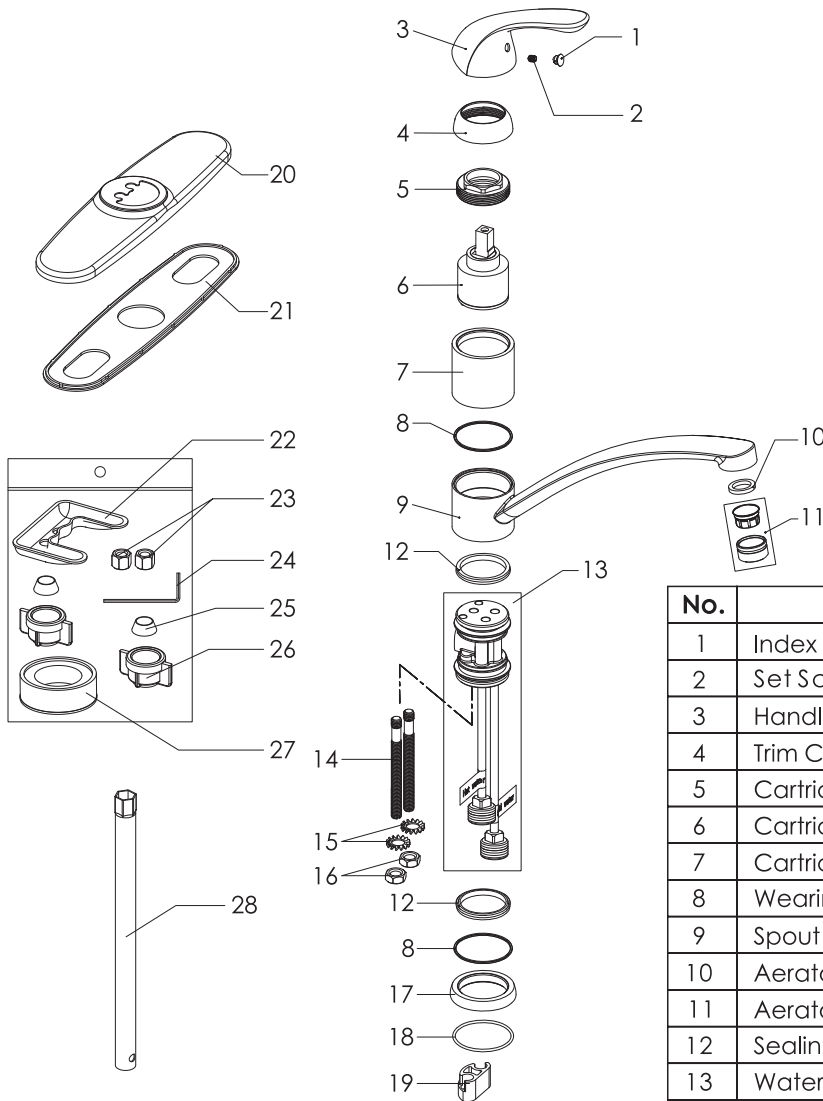
Cartridge (Type H)



Product Compliance:

- ASME A112.18.1 / CSA B125.1
- NSF 61 - Section 9
- NSF 372 (Low Lead Content)
- ANSI A117.1 (ADA)

Noble - Single Handle Kitchen Faucet



Model No. :

191-6572 (Polished Chrome)

191-6573 (Brushed Nickel **Spotless** PVD)

No.	Part Name	Material
1	Index	Plastic
2	Set Screw	Stainless Steel
3	Handle	Zinc
4	Trim Cap	Plastic
5	Cartridge Lock Nut	Stainless Steel
6	Cartridge	Ceramic
7	Cartridge Sleeve	Zinc
8	Wearing Ring	Plastic
9	Spout	Brass
10	Aerator O-Ring	Rubber
11	Aerator	Brass+Plastic
12	Sealing Ring	Rubber
13	Waterway	Brass
14	Bolt	Stainless Steel
15	Stainless Steel Washer	Stainless Steel
16	Lock Nut	Stainless Steel
17	Hub Base	Zinc
18	O-Ring	Rubber
19	Plastic Washer	Plastic
20	Deck Plate	Stainless Steel
21	Putty Plate	Plastic
22	Clamp	Stainless Steel
23	Lock Nut	Stainless Steel
24	Allen Key	Stainless Steel
25	Sealing Ring	Rubber
26	Plastic Lock Nut	Plastic
27	Teflon Tape	Plastic
28	Socket Wrench	Steel

Cartridge (Type H)



Technical Support: warranty@cmiproduct.com
 Hour of Operation: Mon - Fri 8:30 a.m - 5:00 p.m. EST