



## LIMITED LIFETIME WARRANTY

Compass Manufacturing International warrants to the original consumer purchaser that the faucet be free from defects in material and workmanship for as long as the original consumer purchaser owns the home in which the faucet was first installed.

In the event that Freendo faucets are used in a Commercial Application, this warranty is limited for a period of 5 years, unless otherwise specifically stated in the catalog and/or price book.

Compass Manufacturing International will replace, free of charge, during the applicable warranty period, any part or finish that proves defective in material and/or workmanship under normal installation, use and service. This warranty shall not apply to goods which have been subject to accidents, negligence or improper installation. Compass Manufacturing International will not be liable for other damages or losses, including, but not limited to: labor charges and/or damages incurred in installation, repair or replacement as well as any other kind of loss or damage. Proof of purchase from the original consumer purchaser must be made available for all warranty claims.

Compass Manufacturing International recommends using a professional plumber for all installation and repair. Compass Manufacturing International will, at its discretion, provide replacement parts for installation by consumer for any parts that prove defective under normal usage and service with new or equivalent parts. Replacement parts may be obtained by emailing the address below, calling the number below or by writing to:

### Compass Manufacturing International

Freendo Product Service

6702 Enterprise Drive

Louisville, KY 40214

800.626.3525

[warranty@cmiproduct.com](mailto:warranty@cmiproduct.com)

Revised 7/8/16

[warranty@cmiproduct.com](mailto:warranty@cmiproduct.com)

© Compass Manufacturing International

800.626.3525



Model No. : 212-5901 Polished Chrome  
212-5902 Brushed Nickel *Spotless* PVD™  
212-5903 Oil-Rubbed Bronze



**Noble Contractor Trim Pack for  
Single Handle Pressure Balanced Tub &  
Shower Set**



## Helpful Information

### Helpful Tools

#### Tools:

Gather the necessary tools as shown below to complete the installation of this faucet. Some may not be needed depending on the model of faucet you are installing.



Plumber's Putty



Flashlight



Basin Wrench



Safety Glasses



Screwdriver



Pliers



Channel Locks



Adjustable Wrench

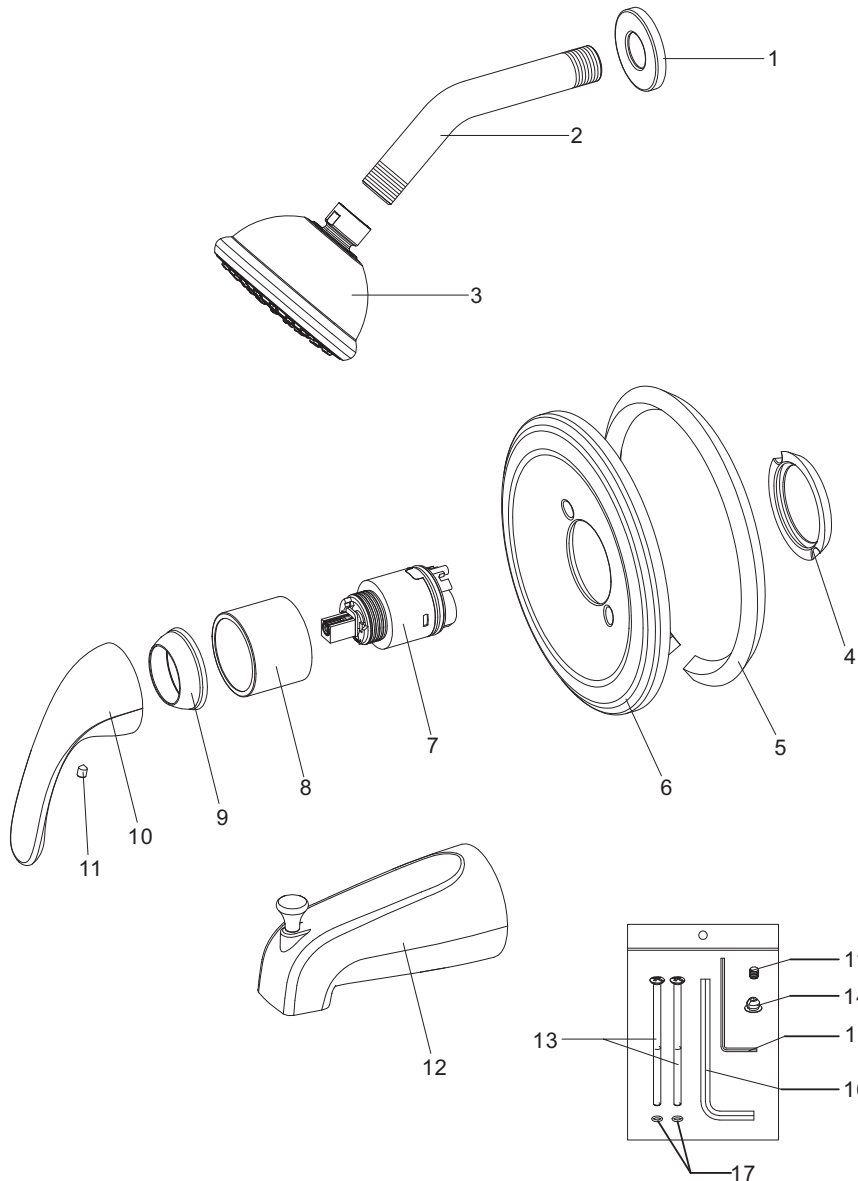
## 5

## Parts List

17	Escutcheon Screw O-rings
16	Allen Key
15	Allen Key
14	Hot/Cold Button
13	Escutcheon Screw
12	Tub Spout
11	Set Screw
10	Handle
9	Cartridge Locknut
8	Cartridge Sleeve
7	Cartridge
6	Escutcheon
5	Sealing Ring
4	Sealing Ring
3	Shower Head
2	Shower Arm
1	Shower Arm Flange
<b>No.</b>	<b>Part Name</b>

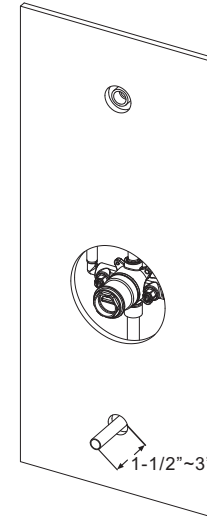
**4**

## Parts Diagram

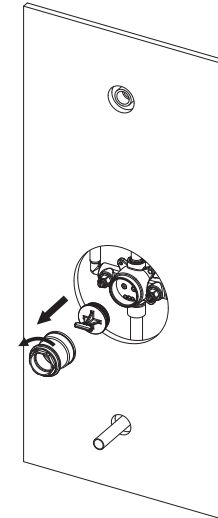
**1**

## Faucet Installation

1.



2.



1. For tub spout installation only: install copper pipe for spout, use proper length copper pipe so that the pipe will extend 1-1/2"~3" from the finish wall.

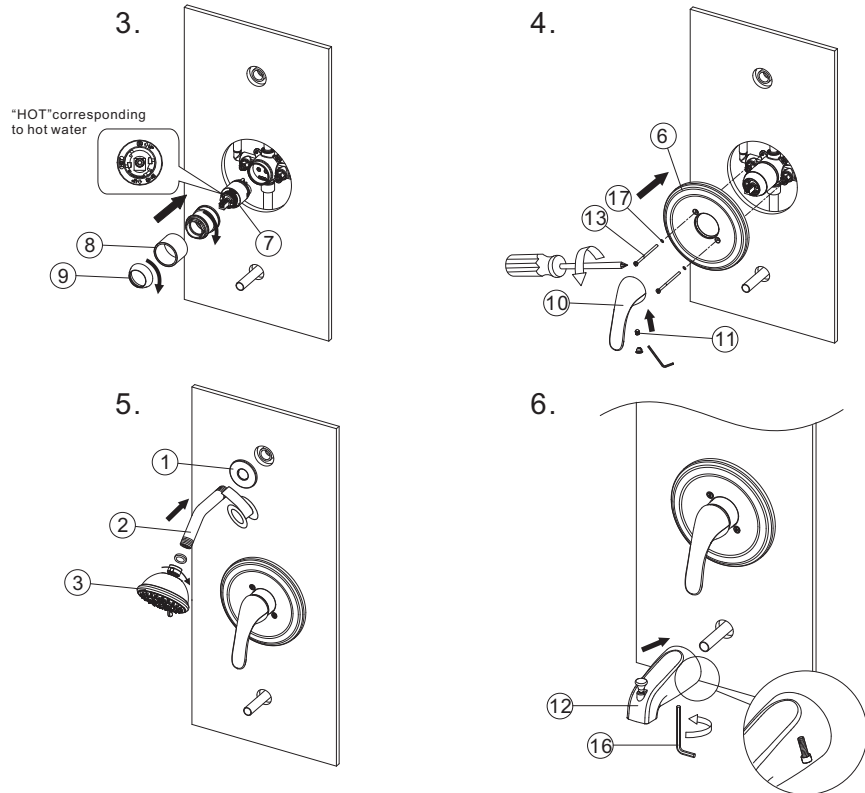
In order to assure proper function, piping from the bottom port of valve to tub spout outlet must be either 1/2" nominal copper pipe or 1/2" iron pipe. If PEX is used for the tub spout, the PEX must be at least 3/4" pipe.

2. Remove the locknut sleeve, O-ring and test plug as shown.

Note: DO NOT DISCARD locknut sleeve. This item is used to secure cartridge.

**2**

## Faucet Installation



3. Install the cartridge (7), cartridge sleeve (8) and cartridge locknut (9) into the valve body.

4. Close bathtub drain to avoid losing parts. Install escutcheon (6) and secure it with escutcheon screws (13) and escutcheon screw o-rings (17). Make sure valve is in off position. Then assemble the handle (10) and secure it with set screw (11).

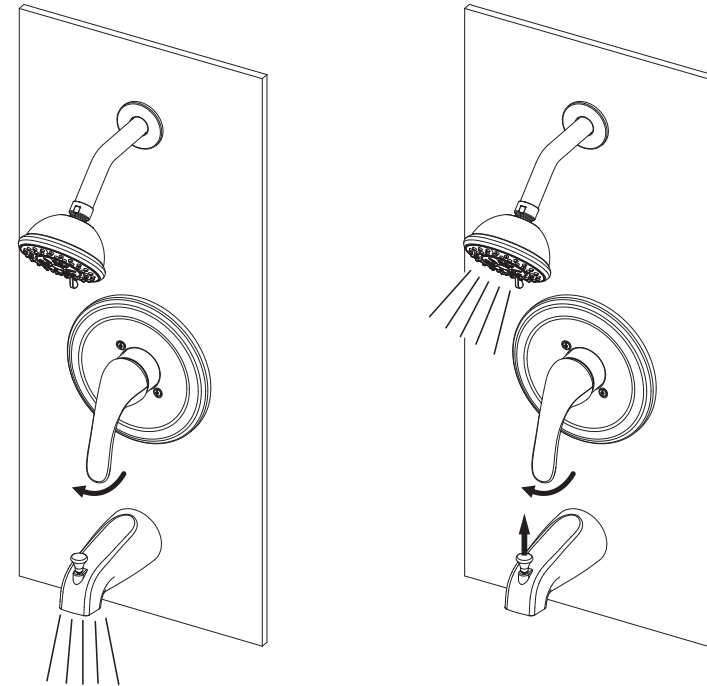
5. Apply teflon tape to two ends of shower arm (2) and install it to wall with shower arm flange (1). And connect the shower head (3) to shower arm (2).

CAUTIONS: ENSURE THE RUBBER WASHER IS IN POSITION BETWEEN THE SHOWER HEAD AND SHOWER ARM.

6. Position the tub spout (12) as shown, adjust it and fix it with Allen Key (16).

**3**

## Configuration



Turn on water and check for leaks. If there are leaks, please reinstall.