



## LIMITED LIFETIME WARRANTY

Compass Manufacturing International warrants to the original consumer purchaser that the faucet be free from defects in material and workmanship for as long as the original consumer purchaser owns the home in which the faucet was first installed.

In the event that Freendo faucets are used in a Commercial Application, this warranty is limited for a period of 5 years, unless otherwise specifically stated in the catalog and/or price book.

Compass Manufacturing International will replace, free of charge, during the applicable warranty period, any part or finish that proves defective in material and/or workmanship under normal installation, use and service. This warranty shall not apply to goods which have been subject to accidents, negligence or improper installation. Compass Manufacturing International will not be liable for other damages or losses, including, but not limited to: labor charges and/or damages incurred in installation, repair or replacement as well as any other kind of loss or damage. Proof of purchase from the original consumer purchaser must be made available for all warranty claims.

Compass Manufacturing International recommends using a professional plumber for all installation and repair. Compass Manufacturing International will, at its discretion, provide replacement parts for installation by consumer for any parts that prove defective under normal usage and service with new or equivalent parts. Replacement parts may be obtained by emailing the address below, calling the number below or by writing to:

### Compass Manufacturing International

Freendo Product Service

6702 Enterprise Drive

Louisville, KY 40214

800.626.3525

[warranty@cmiproduct.com](mailto:warranty@cmiproduct.com)

Revised 8/9/16

[warranty@cmiproduct.com](mailto:warranty@cmiproduct.com)

© Compass Manufacturing International

800.626.3525



Model No. : 211-6578 Polished Chrome  
211-6579 Brushed Nickel **Spotless PVD™**



## Noble Single Handle Pressure Balanced Tub & Shower Set



## Helpful Information

### Helpful Tools

#### Tools:

Gather the necessary tools as shown below to complete the installation of this faucet. Some may not be needed depending on the model of faucet you are installing.



Plumber's Putty



Flashlight



Basin Wrench



Safety Glasses



Screwdriver



Pliers



Channel Locks



Adjustable Wrench

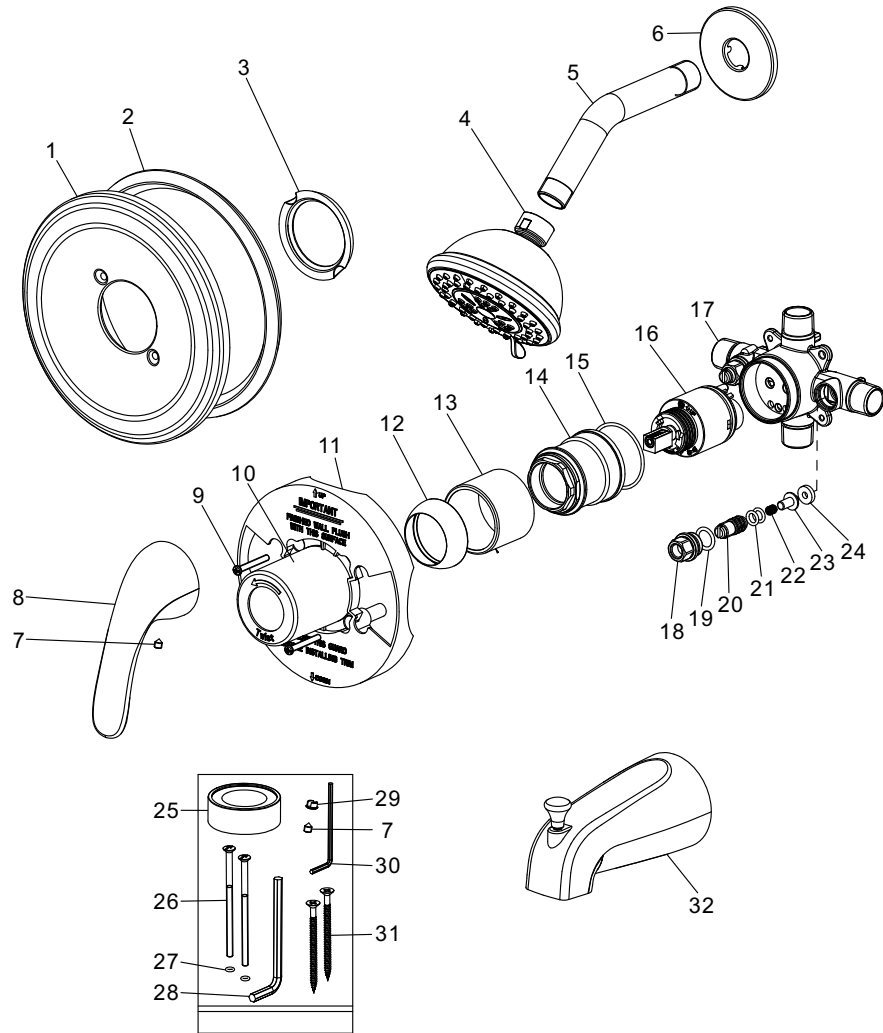
## 9

## Parts List

32	Tub Spout
31	Screw
30	Hex Wrench
29	Handle Button
28	Hex Wrench
27	O-ring
26	Screw
25	Teflon Tape
24	Sealing Washer
23	Stopper
22	Spring
21	O-ring
20	Adjuster
19	O-ring
18	Integral Stop Locknut
17	Valve Body
16	Cartridge
15	O-ring
14	Locknut
13	Cartridge Sleeve
12	Trim Cap
11	Protective Kit
10	Protective Sleeve
9	Screw
8	Handle
7	Set Screw
6	Shower Arm Flange
5	Shower Arm
4	Shower Head
3	Sealing Ring
2	Sealing Ring
1	Escutcheon
<b>No.</b>	<b>Part Name</b>

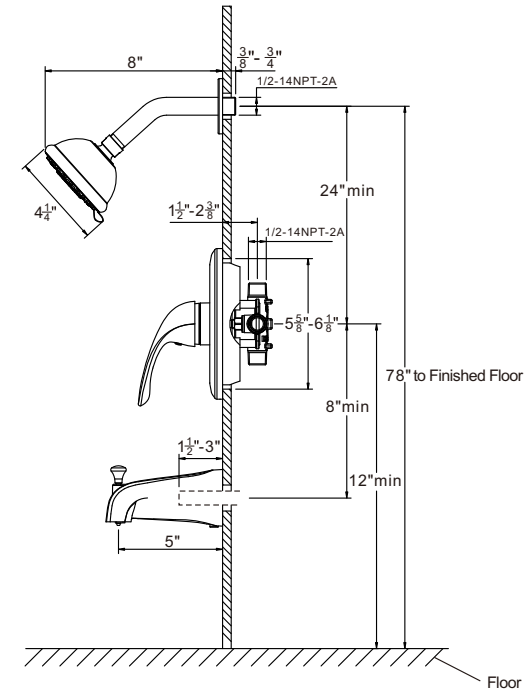
# 8

## Parts Diagram



# 1

## Faucet Installation

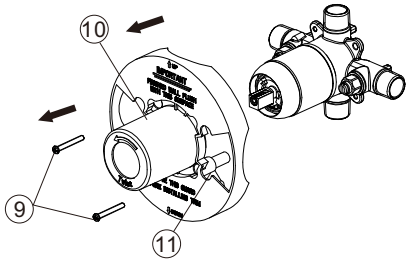


- Note the installation dimension between shower arm, handle and spout. Make sure the valve is properly oriented. The word "UP" on the valve body should be pointed towards the shower riser and the word "DOWN" should be pointed towards the tub spout outlet. Insert valve assembly with plaster guard into cut hole in wall. The flat surface marked "IMPORTANT" on the plaster guard should be FLUSH with the finished wall surface.  
CAUTIONS: 1/2" Copper or larger required for drop from valve to tub spout to prevent back pressure that will cause leakage from shower head when discharging water through tub spout.

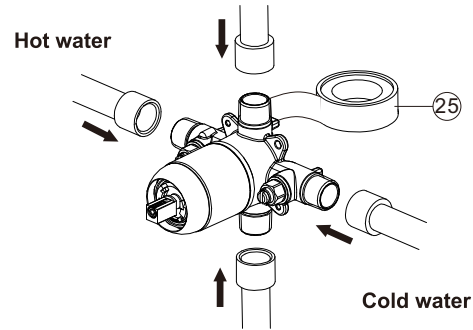
## 2

### Faucet Installation

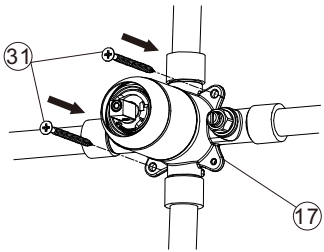
2.



5.



6.



2. Remove the screws (9), protective sleeve (10), protective kit (11) as shown.

3. If sweating in, please remove stop valves so they are not damaged.

4. Replace stop valves after brass body has cooled properly.

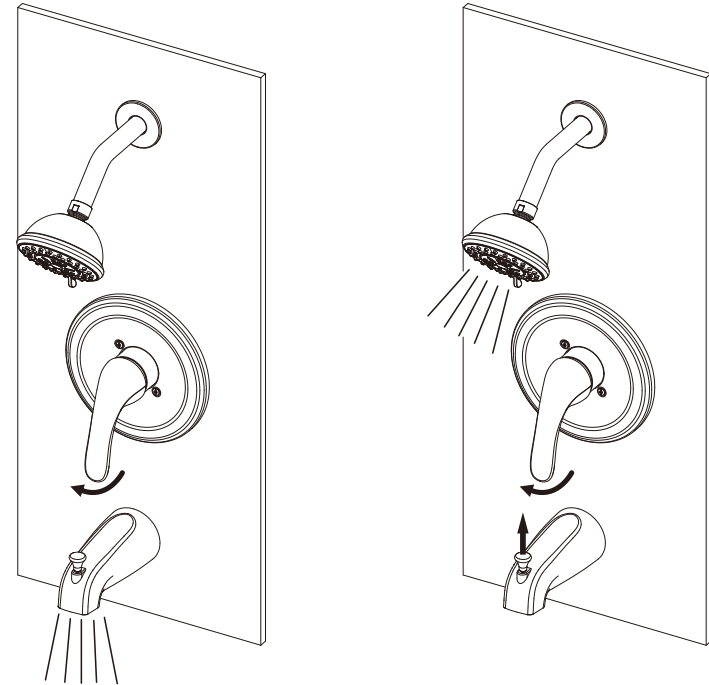
5. Connect pipes with faucet by teflon tape (25) as shown, pay attention to the connection of hot and cold water supply pipe.

CAUTIONS: If the shower head or spout is not needed, use the washer to plug the valve hole of "DOWN" or "UP".

6. Tighten the screw (31) to fix the valve body (17) into the wall.

## 7

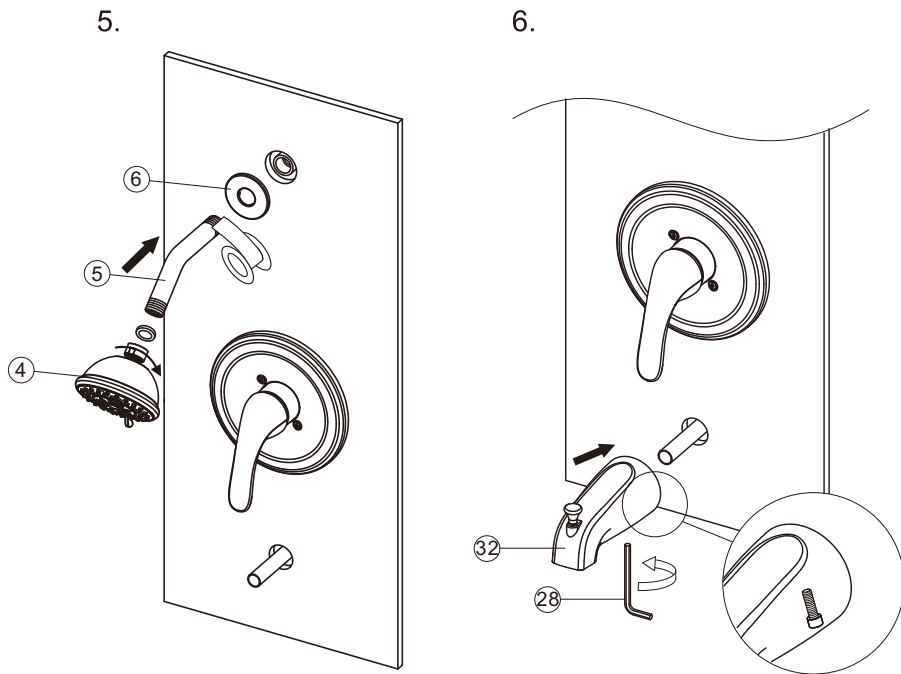
### Configuration



Turn on water and check for leaks. If there are leaks, please reinstall.

**6**

## Faucet Installation



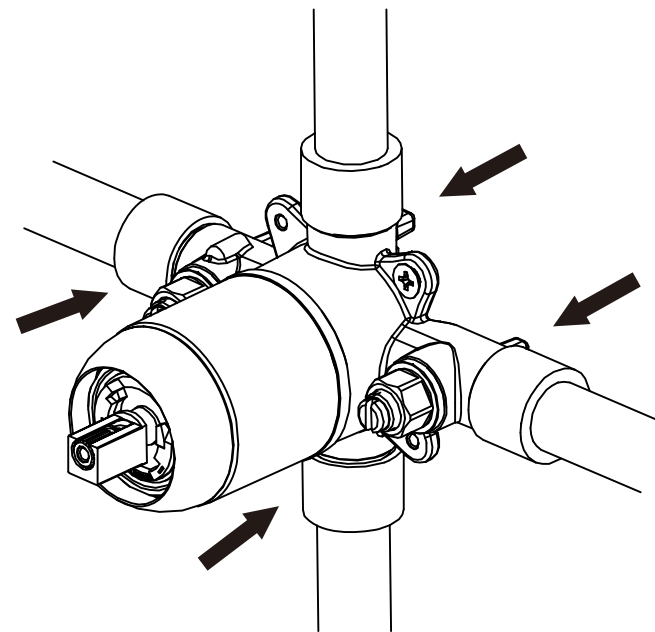
5. Apply teflon tape to two ends of shower arm (5) and install it to wall with shower arm flange (6). And connect the shower head (4) to shower arm (5).

CAUTIONS: ENSURE THE RUBBER WASHER IS IN POSITION BETWEEN THE SHOWER HEAD AND SHOWER ARM.

6. Position the tub spout (32) as shown, adjust it and fix it with Allen Key (28).

**3**

## Configuration

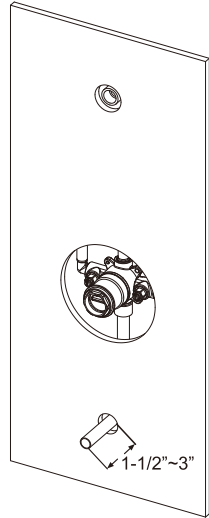


Turn on water and check for leaks. If there are leaks, please reinstall.

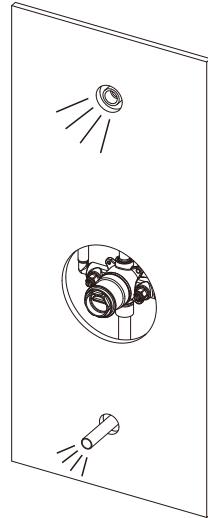
# 4

## Faucet Installation

1.



2.

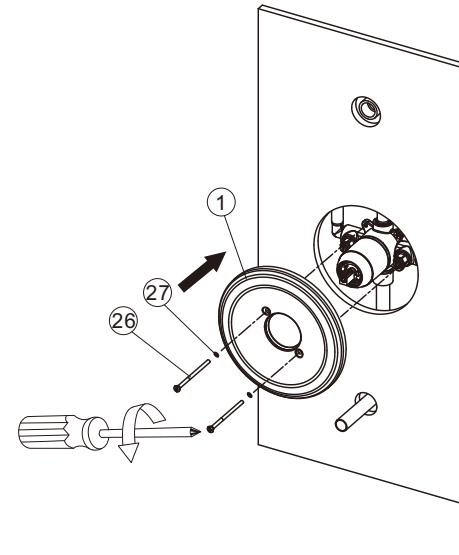


1. For tub spout installation only: install copper pipe for spout, use proper length copper pipe so that the pipe will extend 1-1/2"~3" from the finish wall.  
In order to assure proper function, piping from the bottom port of valve to tub spout outlet must be either 1/2" nominal copper pipe or 1/2" iron pipe.
2. Turn on hot and cold water supply lines. Turn on the faucet and let the water from the tub spout for one minute to flush the debris from the line.  
If there is a leak, refer to correct section and repeat step.

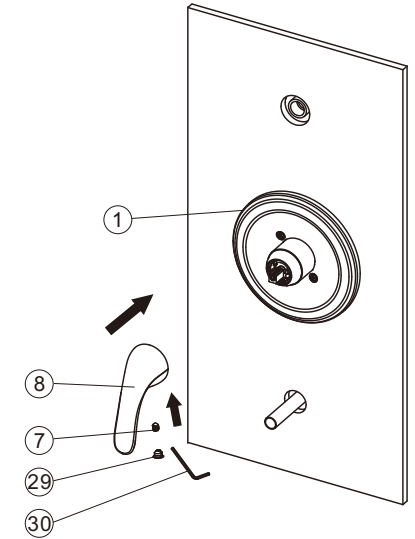
# 5

## Faucet Installation

3.



4.



3. Install escutcheon (1) and secure with screws (26) and o-ring (27).  
Make sure valve is in off position.  
**Please Note:** Do not remove the customer service tag with the model number and phone number as this will be helpful if you need assistance in the future.
4. Assemble the handle (8) on the escutcheon (1), secure with the set screw (7) and install the handle button (29).