



LIMITED LIFETIME WARRANTY

Compass Manufacturing International warrants to the original consumer purchaser that the faucet be free from defects in material and workmanship for as long as the original consumer purchaser owns the home in which the faucet was first installed.

Compass Manufacturing International will replace, free of charge, during the applicable warranty period, any part or finish that proves defective in material and/or workmanship under normal installation, use and service. Freendo faucets are not designed or intended for commercial use; therefore, no warranty is given on the faucet if it is used for commercial purposes. This warranty shall not apply to goods which have been subject to accidents, negligence or improper installation.

Compass Manufacturing International recommends using a professional plumber for all installation and repair. Compass Manufacturing International will, at its discretion, provide replacement parts for installation by consumer for any parts that prove defective under normal usage and service with new or equivalent parts. Replacement parts may be obtained by emailing the address below, calling the number below or by writing to:

Compass Manufacturing International

Freendo Product Service
6702 Enterprise Drive
Louisville, KY 40214
800.626.3525
warranty@cmiproduct.com



Rev 01/29/15

© Compass Manufacturing International

warranty@cmiproduct.com

800.626.3525



Model No. : 192-5892 Polished Chrome
192-5893 Brushed Nickel **Spotless PVD™**
192-5894 Oil-Rubbed Bronze



Two Handle Bar Faucet

2 Hole Installation, 4" Center-Set



Helpful Information

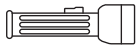
Helpful Tools

Tools:

Gather the necessary tools as shown below to complete the installation of this faucet. Some may not be needed depending on the model of faucet you are installing.



Plumbers Putty



Flashlight



Basin Wrench



Safety Glasses



Screwdriver



Pliers



Channel Locks



Adjustable Wrench

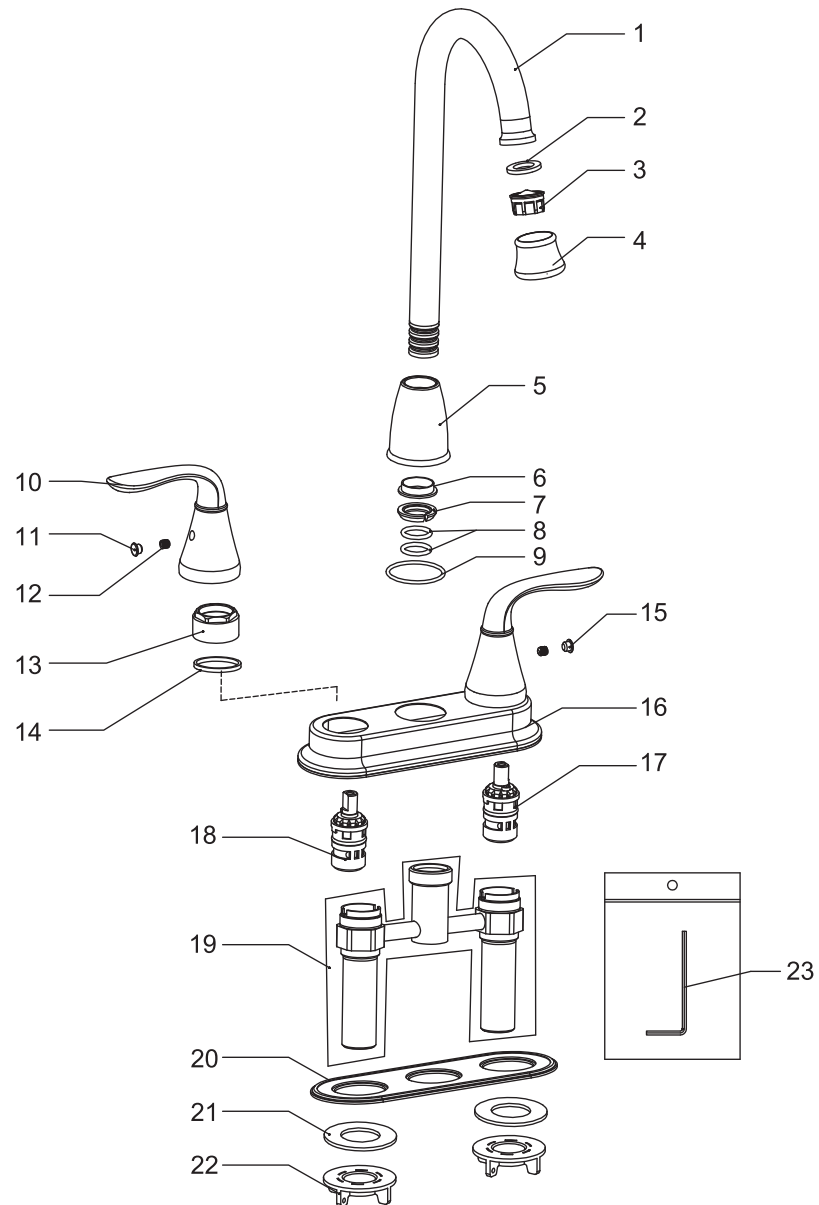
5

Parts List

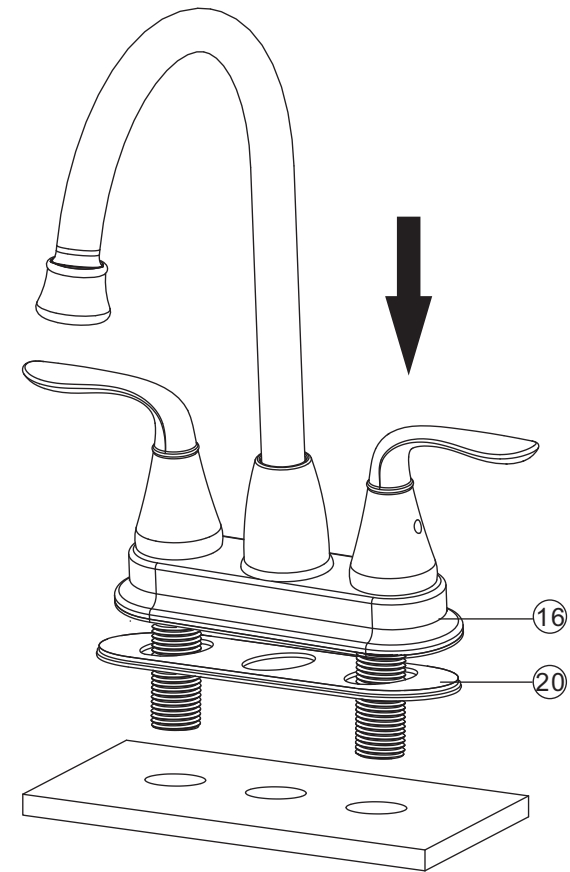
23	Allen Key
22	Plastic Locknut
21	Washer
20	Putty Plate
19	Brazed Underbody
18	Cartridge(Hot Water)
17	Cartridge(Cold Water)
16	Deck Plate
15	Index (Blue)
14	Washer
13	Cartridge Locknut
12	Set Screw
11	Index (Red)
10	Handle
9	O-ring
8	O-ring
7	O-ring
6	Ring
5	Spout Nut
4	Aerator Collar
3	Aerator Core
2	Aerator Washer
1	Spout
No.	Part Name

4

Parts Diagram

**1**

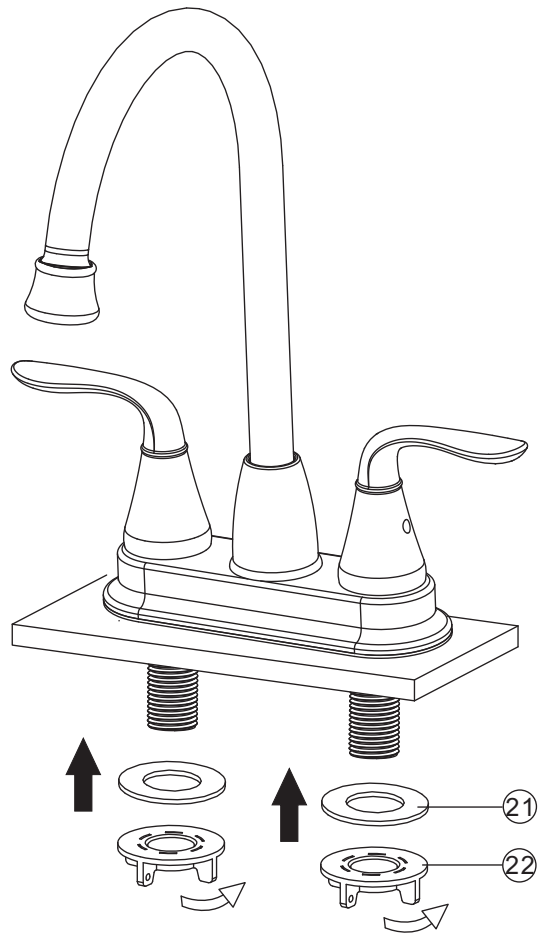
Faucet Installation



1. Position the faucet, deck plate ①⑥ and putty plate ②⑦ on countertop as shown.

2

Faucet Installation

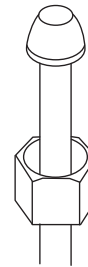


2. Put the washer (21) and plastic locknut (22) to tailpiece of faucet and tighten the plastic locknut by hand.

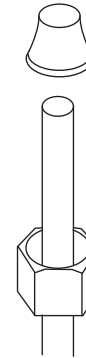
3

Configuration

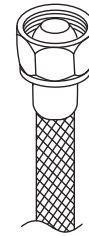
A. Faucet tailpiece



B. Faucet tailpiece



C. Faucet tailpiece



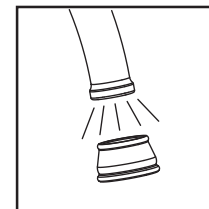
Connect to water supply lines with either:

- (A) 3/8" O.D. Copper tubing (ball nose risers with the coupling nuts or;
- (B) 3/8" Copper tubing (no ball) with supplied tube head interior connector or;
- (C) IPS faucet connectors (1/2")



Warning:

The supply valves and supply lines are not included, please purchase them at a plumbing supply store.



Important:

Remove the aerator and let both hot and cold water run for one minute to clear any line trash. This will help clean any debris that might clog the system. Re-assemble aerator.

Test system for leaks .