

CLARKE
ARCHITECTURAL

THE INFORMATION CONTAINED IN THIS DRAWING IS THE SOLE PROPERTY OF CLARKE PRODUCTS INC. ANY REPRODUCTION IN PART OR AS A WHOLE WITHOUT THE WRITTEN PERMISSION OF CLARKE PRODUCTS INC. IS PROHIBITED.

TITLE: Victoria SS - with Ruhlmann base

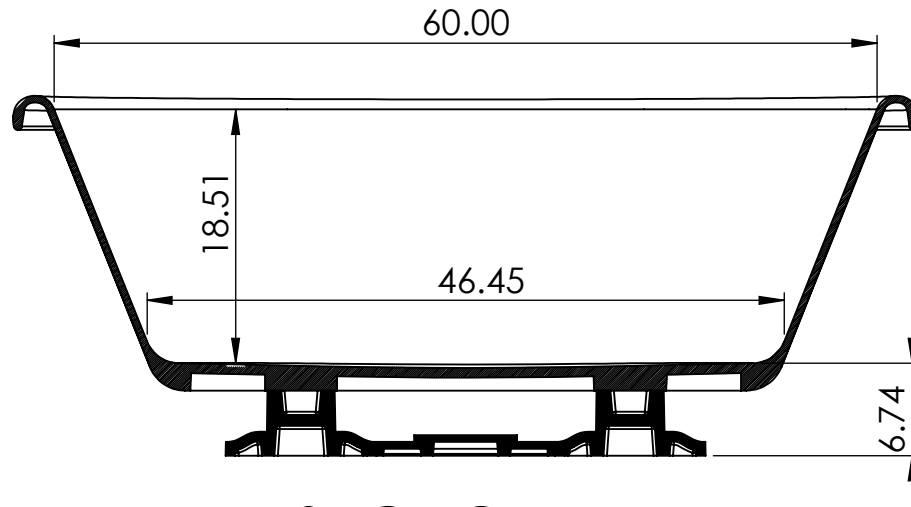
DESC:

DRAWN:

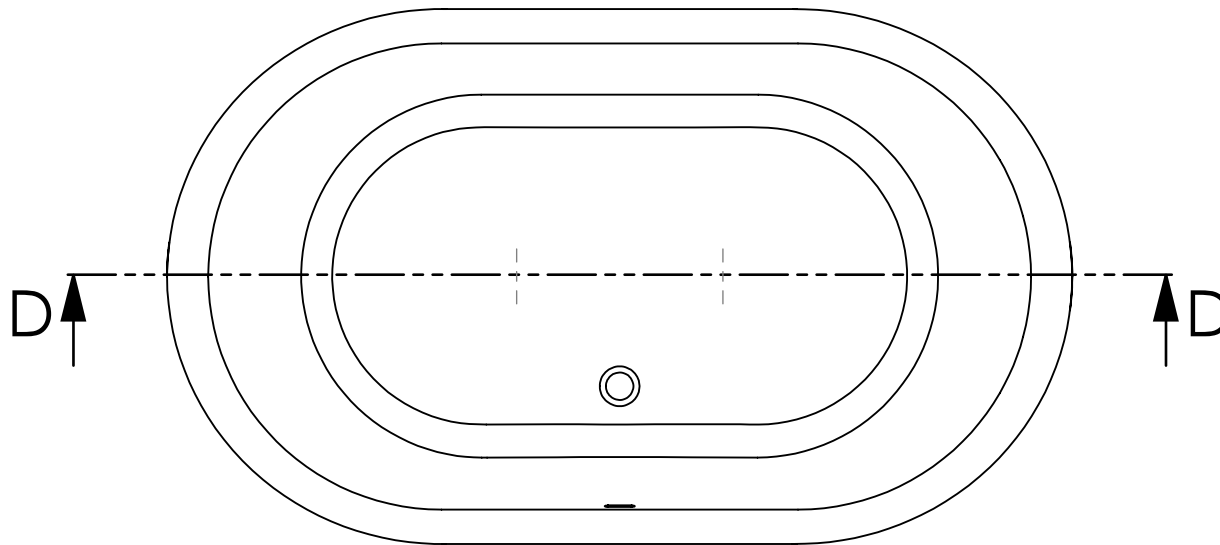
MM

DATE:

2/9/2018



SECTION D-D



CLARKE
ARCHITECTURAL

THE INFORMATION CONTAINED IN THIS DRAWING IS THE SOLE PROPERTY OF CLARKE PRODUCTS INC. ANY REPRODUCTION IN PART OR AS A WHOLE WITHOUT THE WRITTEN PERMISSION OF CLARKE PRODUCTS INC. IS PROHIBITED.

TITLE: Victoria SS - with Ruhlmann base

DESC:

DRAWN:

MM

DATE:

2/9/2018