



A Moen Incorporated Brand

Models:
CA40811 series 2H Bar



Two Handle Bar Faucet

DESCRIPTION

- Metal construction with chrome plated finish
- 1/2" IPS connections
- Six (6) individual boxes per master carton
- Handles withstand aggressive scrubbing cleaners
- Features red/blue hot/cold temperature indicators

OPERATION

- Lever-style handles
- Hot side: Turn counterclockwise to open (clockwise to close)
- Cold side: Turn clockwise to open (counterclockwise to close)
- Will operate with less than 5 lbs. of torque
- No grasping motion required to operate the faucet handles

FLOW

- Spout flow is limited to 1.5 gpm (5.7 L/min) at 60 psi

CARTRIDGE

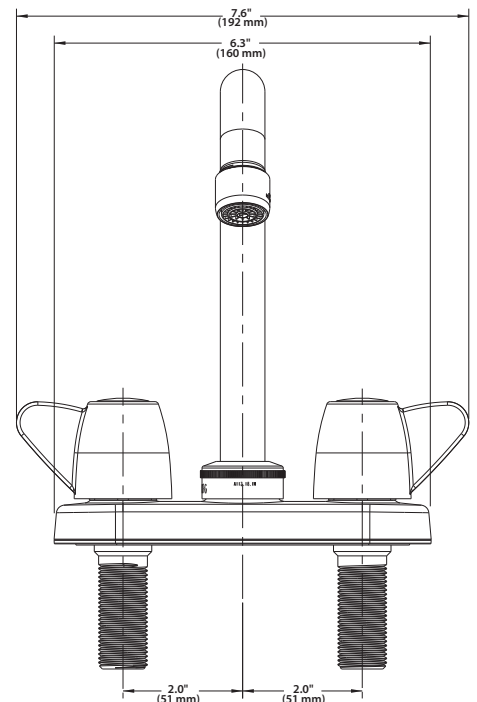
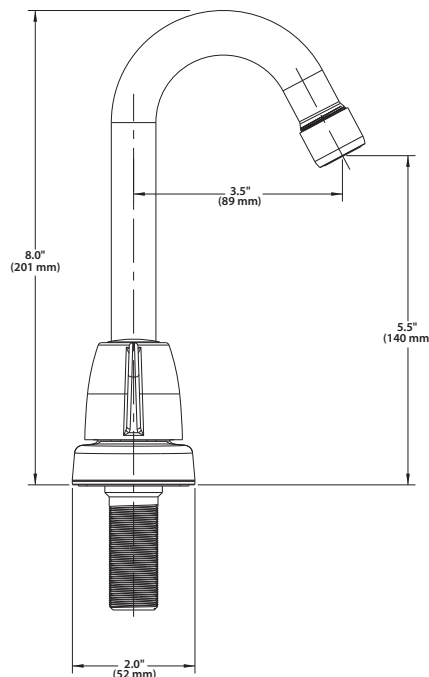
- Ceramic disc technology
- Non-metallic, non-ferrous, and brass material
- Single body construction for easy replacement

STANDARDS

- Third party certified to IAPMO Green, ASME A112.18.1/CSA B125.1, NSF61/9 and all applicable requirements referenced therein
- Meets CalGreen and Georgia SB370 requirements
- Contains no more than 0.25% weighted average lead content
- Complies with California Proposition 65 and the Federal Safe Drinking Water Act
- ADA for lever handles

WARRANTY – RESIDENTIAL, COMMERCIAL

- Ten year limited warranty against defects in materials and manufacturing workmanship
- Refer to the installation instructions enclosed with each CFG product or call 1-888-450-4910 for complete warranty information



CRITICAL DIMENSIONS

- Note: This faucet is designed to be installed through 3 holes, 1" minimum diameter, 4" centers
- Maximum deck thickness 0.875" (22.2 mm)