

MECHANICAL FAUCETS

2500-VOCP

Tub and Shower Fittings



Product Type

Wall Mounted TempShield Thermostatic/Pressure Balancing
TempShield Thermostatic Pressure Balancing Shower Valve Only

Features & Specifications

- TempShield Thermostatic/Pressure Balancing
- TempShield Volume and Temperature Control Cartridges
- 1/2" NPT Male Thread Valve Body Inlets
- 1/2" NPT Female Thread Valve Body Outlet
- TempShield Thermostatic/Pressure Balancing Valve with Quatern™ Cartridge for On/Off Control
- Built-in Integral Check Stops

Performance Specification

- Rated Operating Pressure: 20-125 PSI
- Rated Operating Temperature: Maximum 120°F

Warranty

- Lifetime Limited Faucet Warranty
- 5-Year Limited Cartridge Warranty
- 1-Year Limited Finish Warranty

Codes & Standards

- ASME A112.18.1/CSA B125.1
- ASSE 1016

Job Name _____

Item Number _____

Section/Tag _____

Model Specified _____

Architect _____

Engineer _____

Contractor _____

Submitted as Shown Submitted with Variations

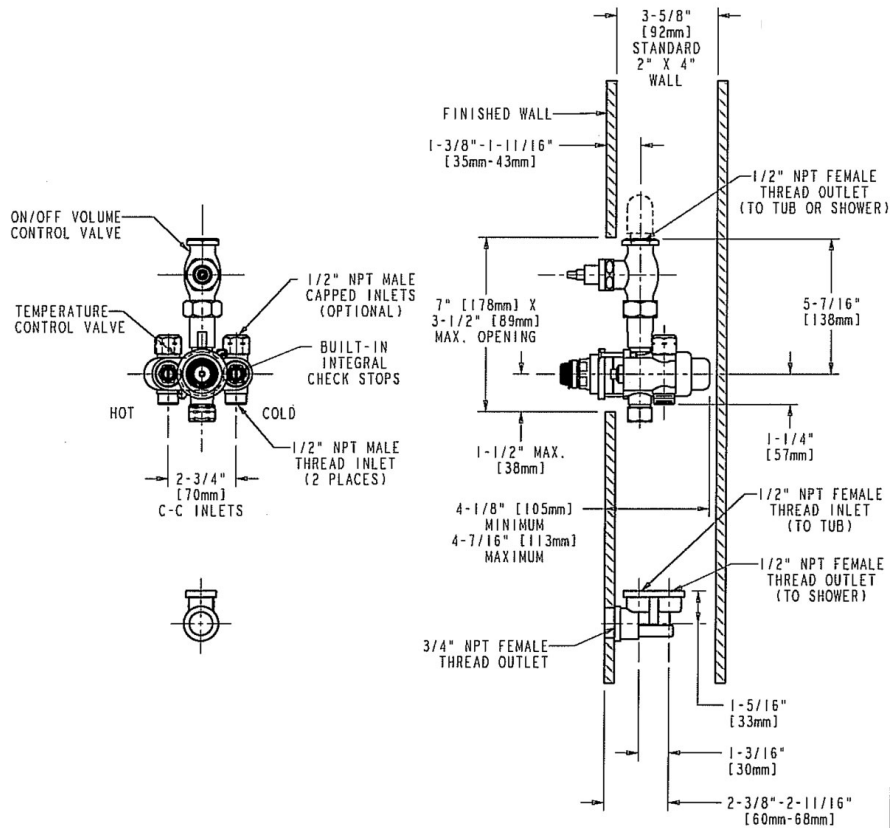
Date _____



2100 South Clearwater Drive
Des Plaines, IL
P: 847/803-5000
F: 847/803-5454
Technical: 800/TEC-TRUE
www.chicagofaucets.com

Architect/Engineer Specification

Chicago Faucets No. 2500-VOCP, TempShield Tub and Shower Valve, thermostatic/pressure balancing, wall-mounted. 1/2" NPT male thread valve body inlets. 1/2" NPT female thread valve body outlet. TempShield thermostatic/pressure balancing valve with Quatern™ cartridge for on/off control. Built-in integral check stops. This product is tested and certified to industry standards: ASME A112.18.1/CSA B125.1, and ASSE 1016.



Operation and Maintenance

Installation should be in accordance with local plumbing codes. Flush all pipes thoroughly before installation. After installation, remove spout outlet or flow control and flush faucet thoroughly to clear any debris. Care should be taken when cleaning the product. Do not use abrasive cleaners, chemicals or solvents as they can result in surface damage. Use mild soap and warm water for cleaning and protecting the life of Chicago Faucet products. For specific operation and maintenance refer to the installation instructions and repair parts documents that are located at www.chicagofaucets.com.

Chicago Faucets, member of the Geberit Group, is the leading brand of commercial faucets and fittings in the United States, offering a complete range of products for schools, laboratories, hospitals, office buildings, food service, airports and sport facilities. Call 1.800.TECTRUE or 1.847.803.5000 Option 1 for installation or other technical assistance.

