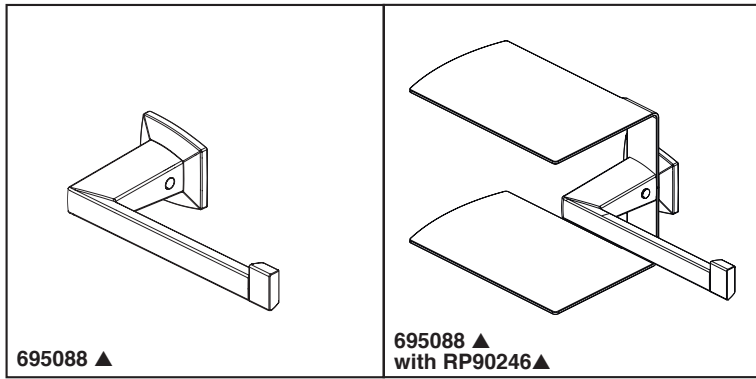


BRIZO®

ACCESSORIES

- Vettis™ Collection
- Tissue Holder

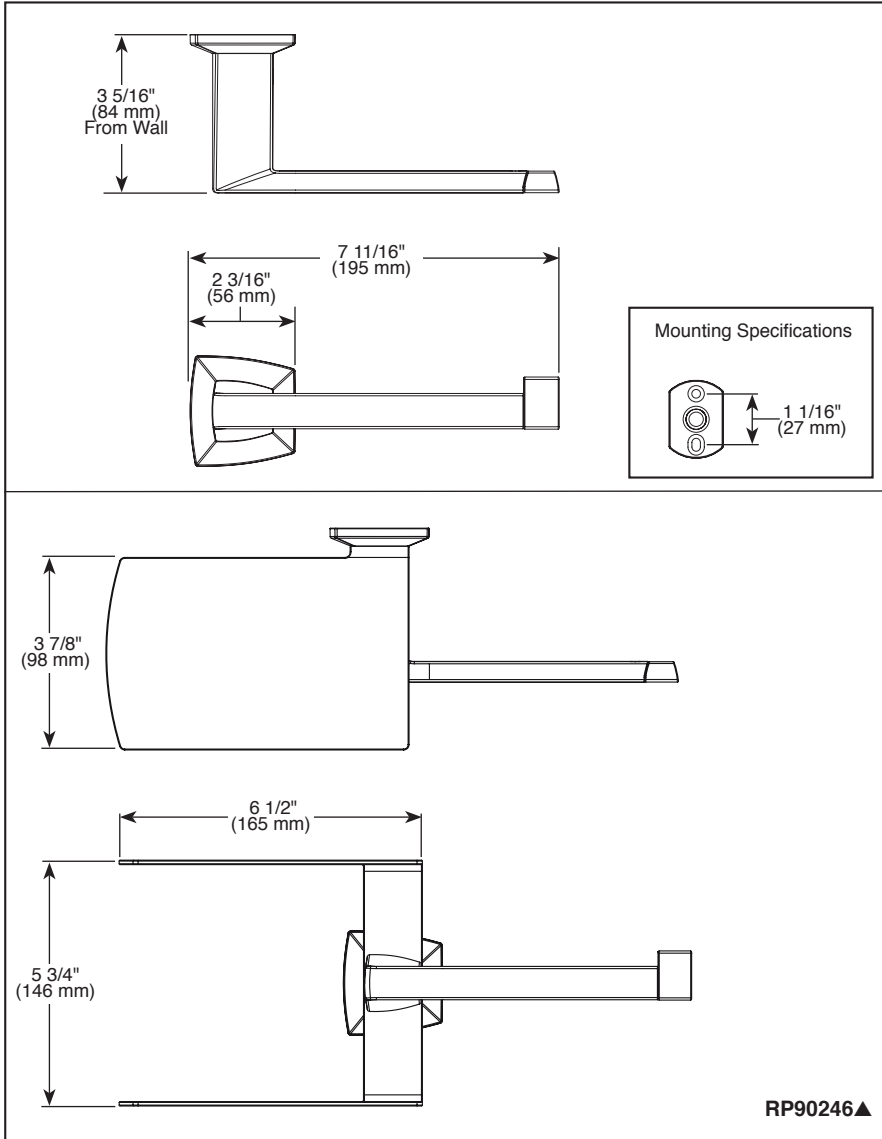


695088 ▲

695088 ▲
with RP90246▲

Submitted Model No.: _____

Specific Features: _____

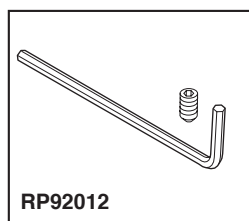


STANDARD SPECIFICATIONS:

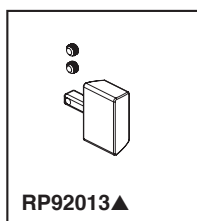
- Wood blocking is preferable behind all wall surfaces. If wood blocking is not available, try finding a wood stud to anchor this accessory.
- Mounting hardware and mounting instructions included with product.
- Plastic anchors, screws, toggle bolts, and mounting brackets are included with the mounting hardware.
- Optional spare tissue holder/shelf sold separately (RP90246▲).
- Tissue holder can be installed in either direction by adjusting end piece (RP92013▲).

WARRANTY

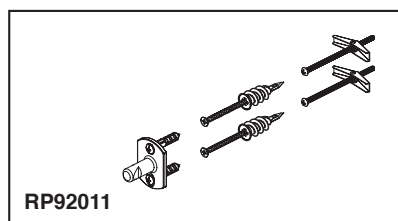
- Lifetime limited warranty on parts (other than electronic parts and batteries) and finishes; or, for commercial users, for 5 years from date of purchase.
- 5 year limited warranty on electronic parts (other than batteries); or, for commercial users, for 1 year from the date of purchase. No warranty is provided on batteries.



RP92012



RP92013▲



RP92011

▲ Designate proper finish suffix

Brizo reserves the right (1) to make changes in specifications and materials, and (2) to change or discontinue models, both without notice or obligation. Dimensions are for reference only. See current full-line price book or www.brizo.com for finish options and product availability.

Brizo Kitchen & Bath Company
Indianapolis, Indiana 46280
A Division of Masco Corporation of Indiana
© 2017 Brizo Kitchen & Bath Company