



# Submittal Sheet

Aquatic products may be specified as Lasco Bathware.

# 1603BFSC

ADA Compliant without Seat

CUSTOMER: \_\_\_\_\_  
 JOB NAME: \_\_\_\_\_  
 PO #: \_\_\_\_\_  
 QUOTE #: \_\_\_\_\_ QUANTITY: \_\_\_\_\_  
 SHIP TO: \_\_\_\_\_  
 \_\_\_\_\_

\_\_\_\_\_/\_\_\_\_\_/\_\_\_\_\_  
 PLUMBING CONTRACTOR APPROVAL DATE  
 \_\_\_\_\_/\_\_\_\_\_/\_\_\_\_\_  
 GENERAL CONTRACTOR APPROVAL DATE  
 \_\_\_\_\_/\_\_\_\_\_/\_\_\_\_\_  
 ENGINEER APPROVAL DATE  
 \_\_\_\_\_/\_\_\_\_\_/\_\_\_\_\_  
 ARCHITECT APPROVAL DATE

## STANDARD FEATURES

- Code compliant when fully equipped and installed according to guidelines
- Pre-leveled base
- Barrier-free design
- Center drain location
- Slip resistant, textured bottom [ASTM F-462]

## CONFIGURATION

- Fully equipped without seat — ADA/ANSI  
 Fixture Wall  LH  RH  Back Wall  
 Includes two 24" x 1½" diameter grab bars located on the side walls; one 48" x 1½" diameter grab bar located on the back wall; pressure balancing mixing valve; and hand-held shower assembly per ADA guidelines.

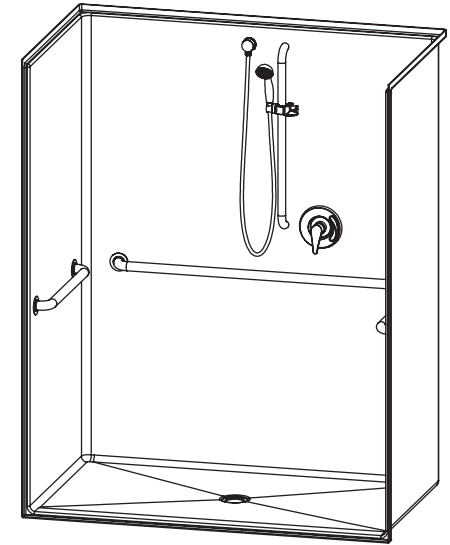
## CUSTOM OPTIONS (not avail. if ADA config. is selected)

- Fixture Wall  LH  RH  Back Wall  
 Grab bars:  
 Two 24" (side walls)  
 One 48" (back wall)  
 Stainless steel (1½" dia.)  LH  RH  
 Powder-coated white (1¼" dia.)  LH  RH  
 Hand-held shower assembly with 30" slide bar and 60" hose  
 Pressure balancing mixing valve

## OPTIONAL ACCESSORIES (available for all models)

- Soap dish
  - Curtain rod (Not ADA compliant)
  - Shower curtain
  - Vinyl flexible dam
  - Removable threshold
  - Brass drain
- Colors:  
 Standard  White  
 Upgraded  Almond  Biscuit  Bone  
 Other (contact customer service for custom color options)  
 Additional accessories:

For pricing of units and additional options, reference the Aquatic Price Book.



**IMPORTANT:** ADA compliant showers with NO interior threshold will have water escape onto the bathroom floor. Aquatic highly recommends you take the following precautions:

1. Install only the minimum number of ADA units without an interior threshold required for each job. If possible install Aquatic's accessible models that have a ½" interior threshold to reduce the amount of water that escapes from the shower.
2. When installing units with NO interior threshold, install a FLOOR DRAIN to control the water that escapes onto the bathroom floor.
3. Depending on your application, you may choose to install Aquatic's vinyl flexible dam or removable threshold, which helps better retain water within the shower. However, these items may not necessarily meet ADA or other code requirements. Always confirm code compliance with your local building authority.

<b>Int. Dim.</b>	60 W x 34 D x 75 ¾ H
<b>Ext. Dim.</b>	62 W x 36 ¼ D x 77 ¼ H
<b>Skirt Ht.</b>	¾ skirt, NO interior threshold
<b>Packaged Wt.</b>	212 lbs. gross
<b>Material</b>	AcrylX™ applied acrylic
<b>Warranty</b>	AcrylX™ Finished Products — Lifetime Limited (30 year commercial)

inches

To complete your order, this document must be signed and faxed to the Aquatic Centralized Customer Service Center.

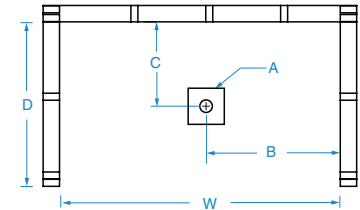
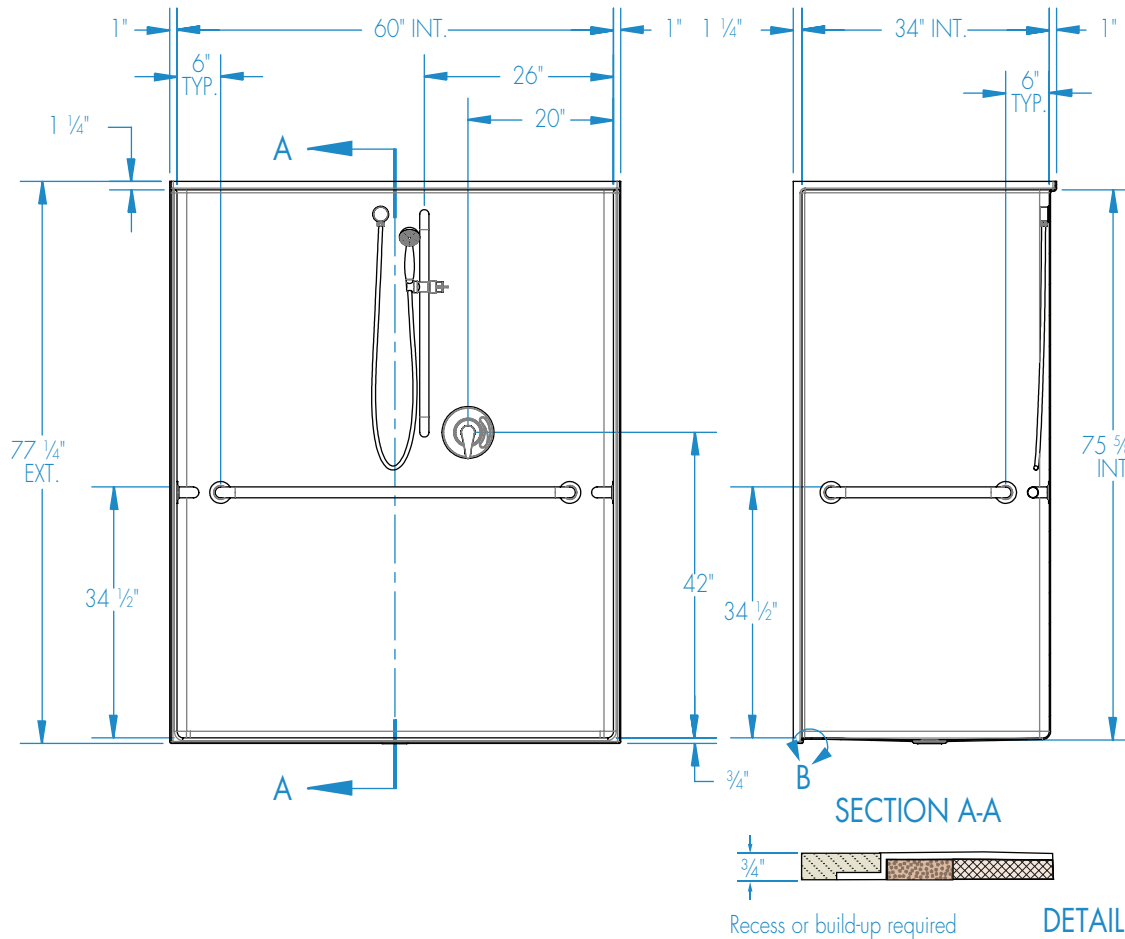
**Fax (866) 544-5353 • Phone (800) 945-2726**



# Submittal Sheet

Aquatic products may be specified as Lasco Bathware.

**1603BFSC** ADA Compliant without Seat  
Please indicate changes needed.

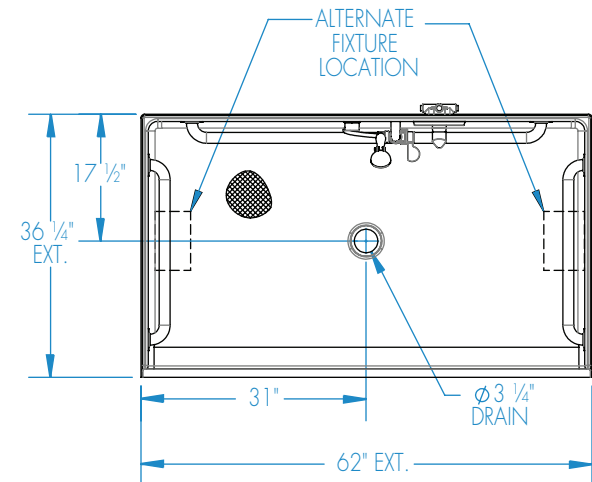


FRAMING DIMENSIONS inches

Type	D Depth	W Width	A	B	C
Alcove	36 1/4	62 1/8	Box Out	31	17 1/2

**Installation Options:**

1. Install in a recessed pit for rough-in floor installation.
2. Build sub-floor to level finished floor with top of shower threshold.



Shell tolerance: +0, - 3/6" All other tolerances: ± 1"



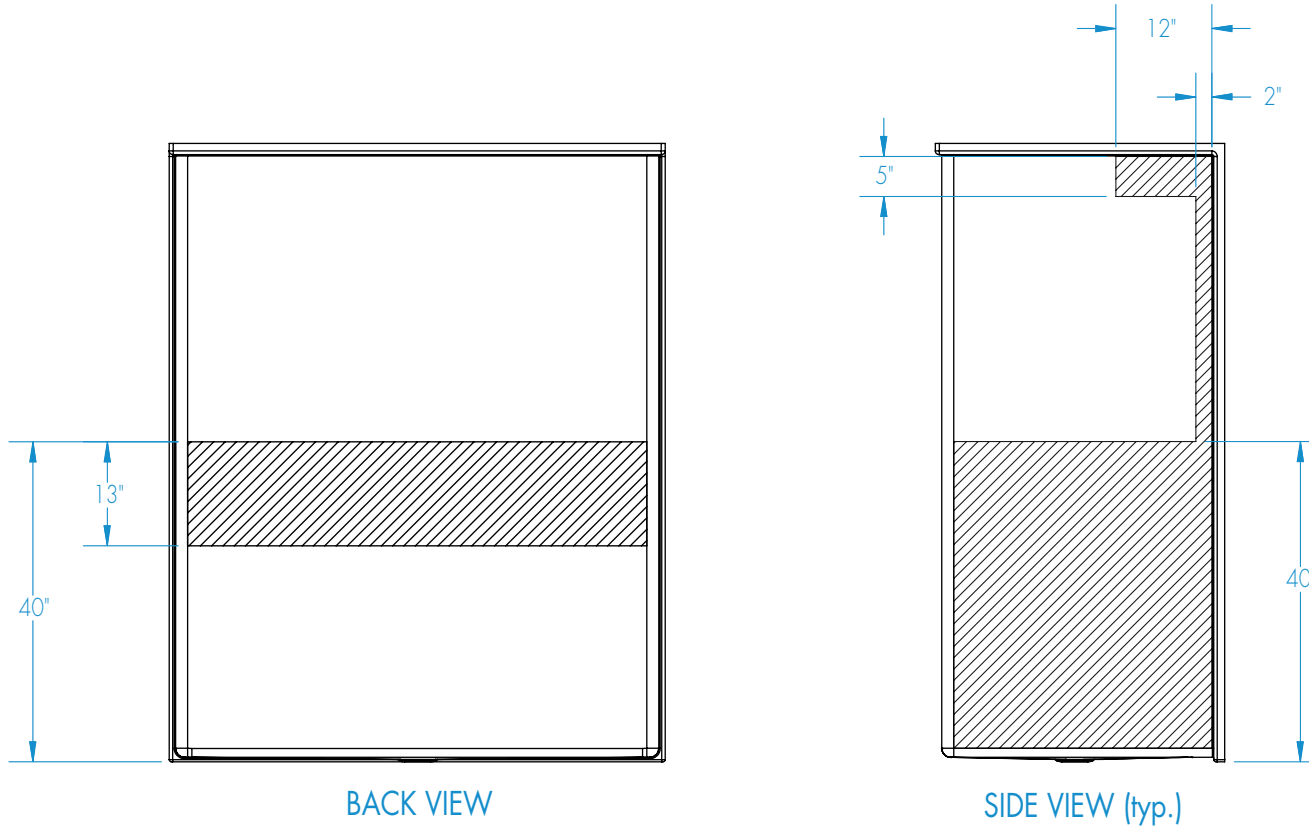
# Submittal Sheet

Aquatic products may be specified as Lasco Bathware.

**1603BFSC** ADA Compliant without Seat

Please indicate changes needed.

## Reinforcement Locations (Standard)



 = GRAB BAR REINFORCEMENT

Shell tolerance: +0, - 3/8" All other tolerances: ±1"

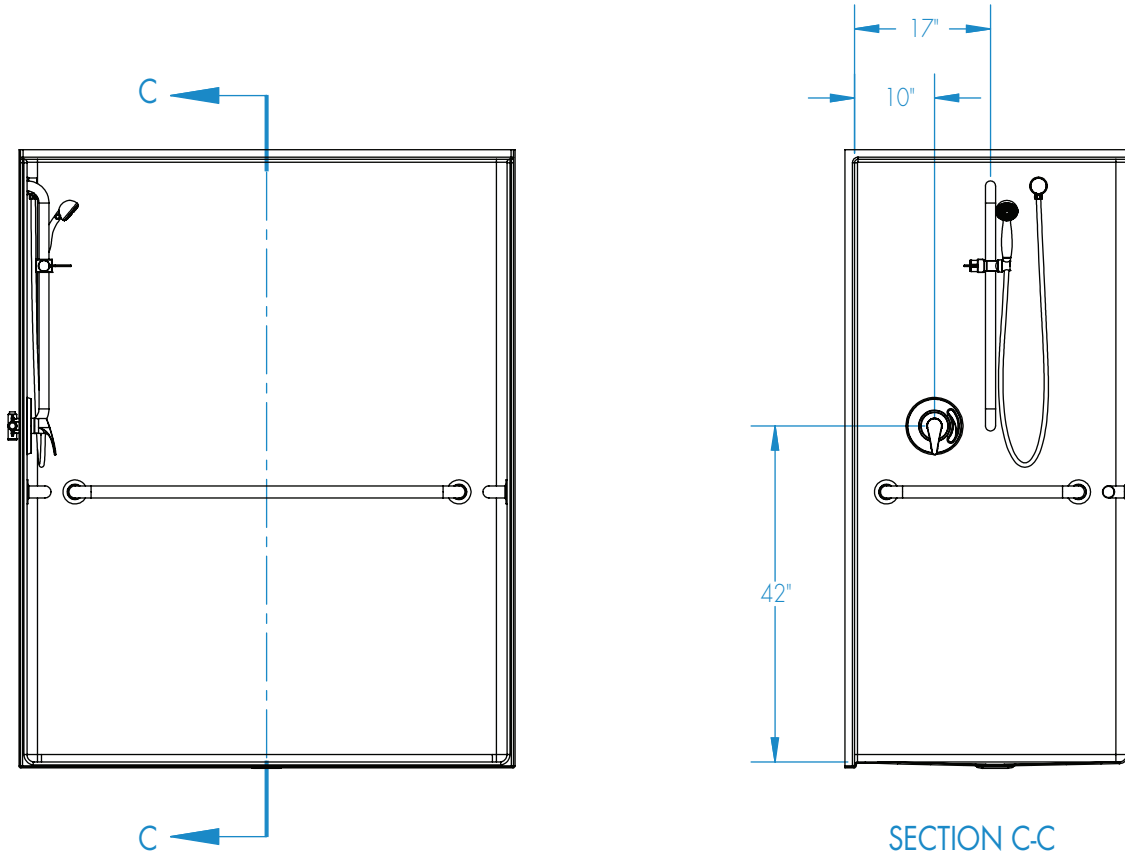


# Submittal Sheet

Aquatic products may be specified as Lasco Bathware.

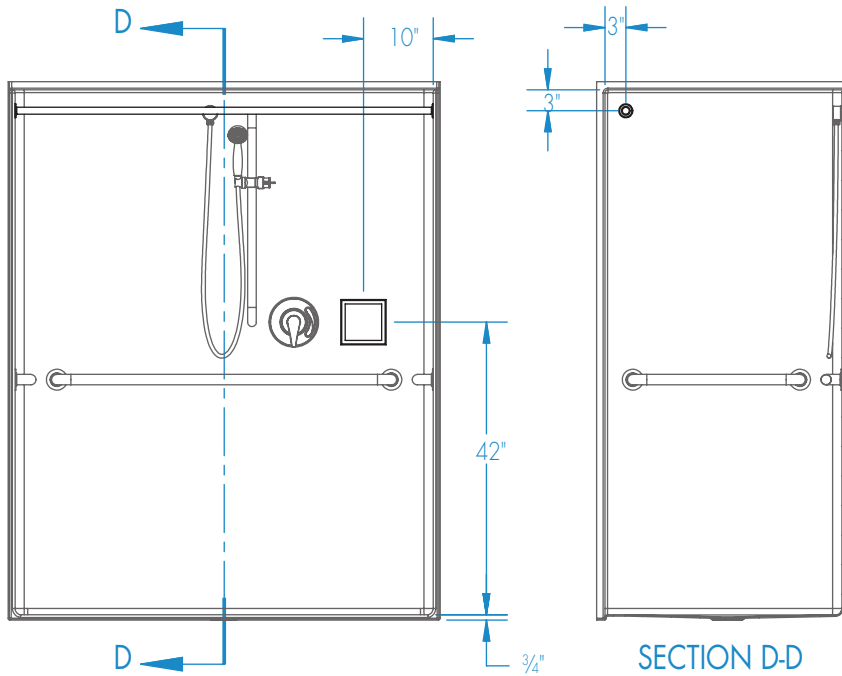
**1603BFSC** ADA Compliant without Seat  
Please indicate changes needed.

## Optional Side Wall Fixture Placement



Shell tolerance: +0, - 3/8" All other tolerances: ±1"

Curtain Rod and Soap Dish Locations (Standard Valve Configuration)



Curtain Rod and Soap Dish Locations (Side Wall Valve Configuration)

