

2603OCSM – EVERYDAY TUB/SHOWERS

60 x 36 x 75 inches



FEATURES

- Tub-shower
- Textured tile finish
- Ergonomic backrest
- Oval bathing well
- Molded toiletry shelves
- Above floor rough
- Slip-resistant textured bottom
- Left or right hand drain
- AcrylX™ applied acrylic surface
- Lifetime limited warranty

OPTIONS

- Grab bar reinforcement
- Factory installed assisted care grab bars
- Designer drain, waste & overflow
- Shower Door Series L0516

AQUATIC ADVANTAGE

- National distribution
- 6 manufacturing facilities
- Private fleet
- Centralized customer service
- Field support

COLOR OPTIONS

Stock	Upgraded	Premium
White	Almond Linen/Biscuit Bone	Black Mexican Sand Sand Bar Sterling Silver

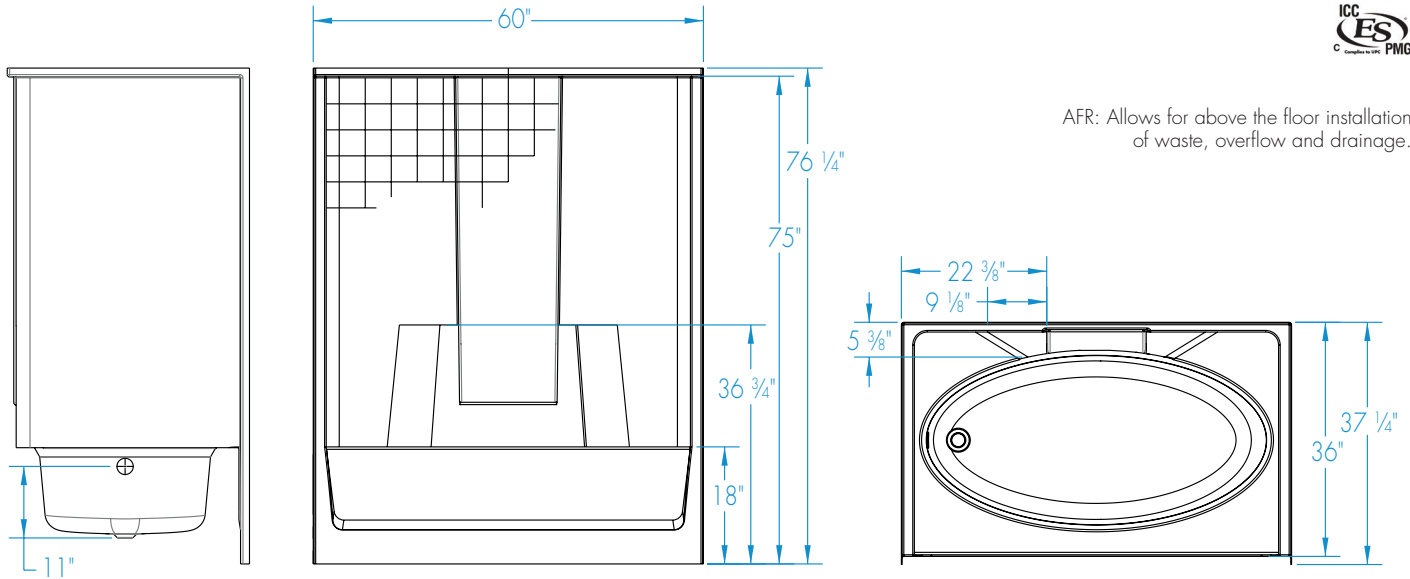


2603OCSM

60 x 36 x 75
inches



AFR: Allows for above the floor installation of waste, overflow and drainage.



FEATURES lbs Dimensional Tolerance $\pm 3/8"$. Dimensions needed for site preparation should be measured from the unit. Aquatic assumes no responsibility for preparatory work.

Model #	Material	Wall Finish	Jets	Motor	Controls	Drain	Net Wt.	Pkg. Wt.
AFR Tub-Shower #2603OCSM	AcrylX™	Textured Tile	-	-	-	LH or RH	136	141

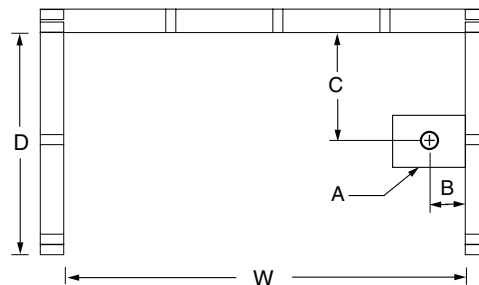
DIMENSIONS

Specifications	inches
Width: Overall / Net	60
Depth: Overall / Net	37 1/4 / 36
Height: Overall / Net	76 1/4 / 75
Enclosure Opening	56
Skirt Height	18
Drain Rough-In (from Back Wall)	18 1/8
Drain Rough-In (from Side Wall)	2 3/4
Drain: Diameter / Clearance	2 / 4

FRAMING DIMENSIONS

 inches

Type	D Depth	W Width	H Height	A	B	C
Alcove	37 1/4	60 1/8	-	Box Out	2 3/4	18 1/8



SUMP DATA

Top of Drain to Bottom of Overflow	Capacity to Overflow gal	Min. Operating Capacity gal	WIDTH @ centerline		DEPTH @ centerline	
			Top	Bottom	Top	Bottom
9 1/8	58	-	52	48 1/2	28	25 1/2